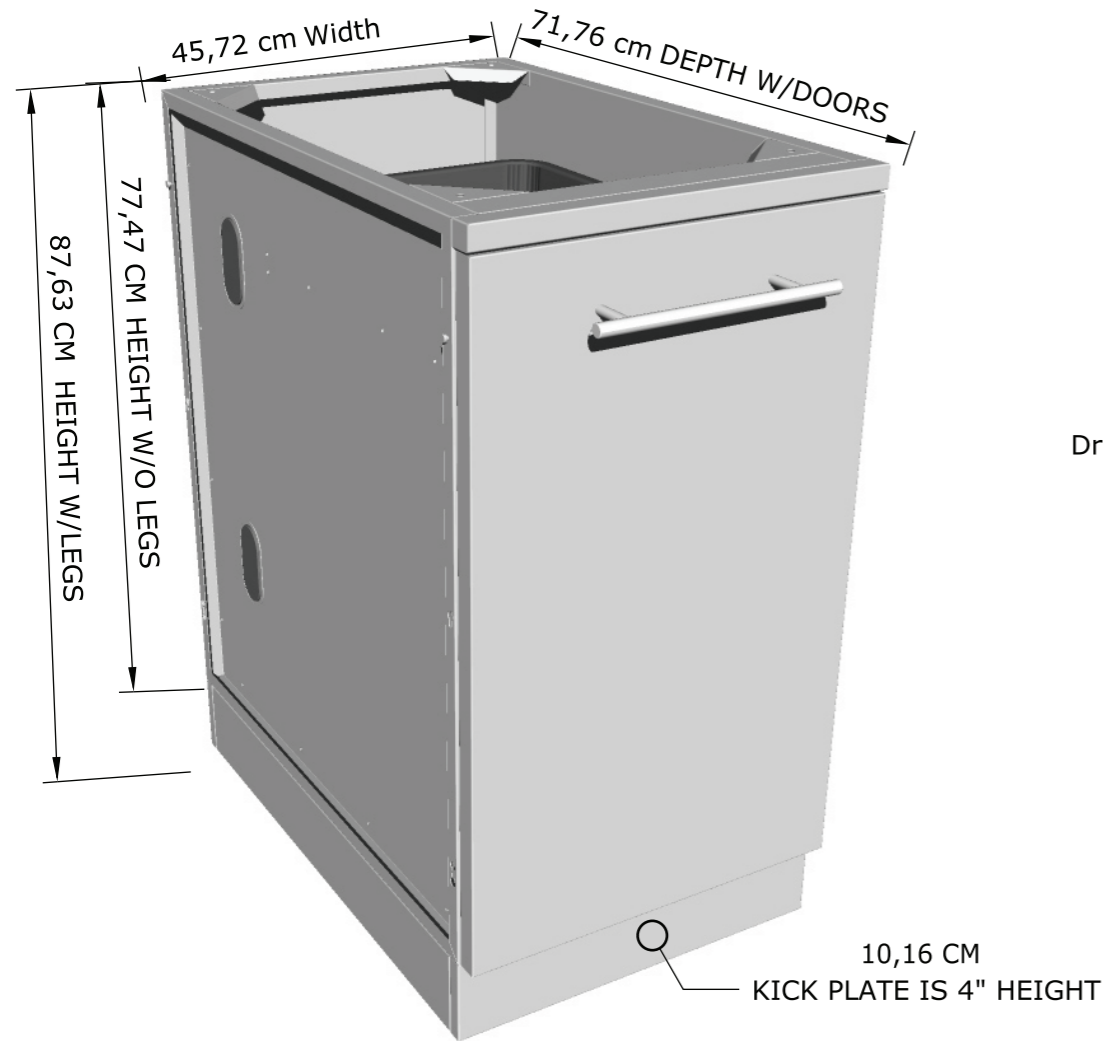
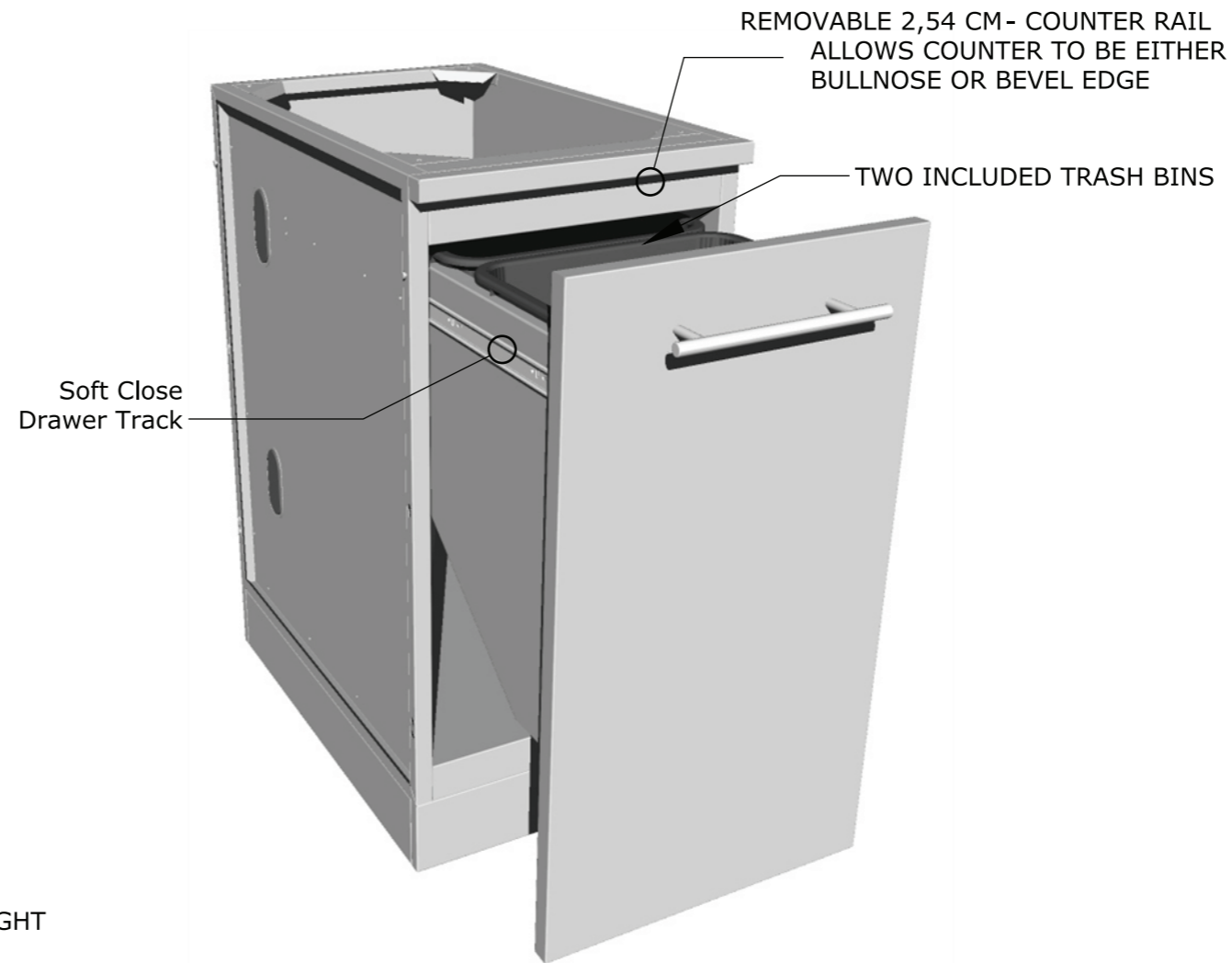


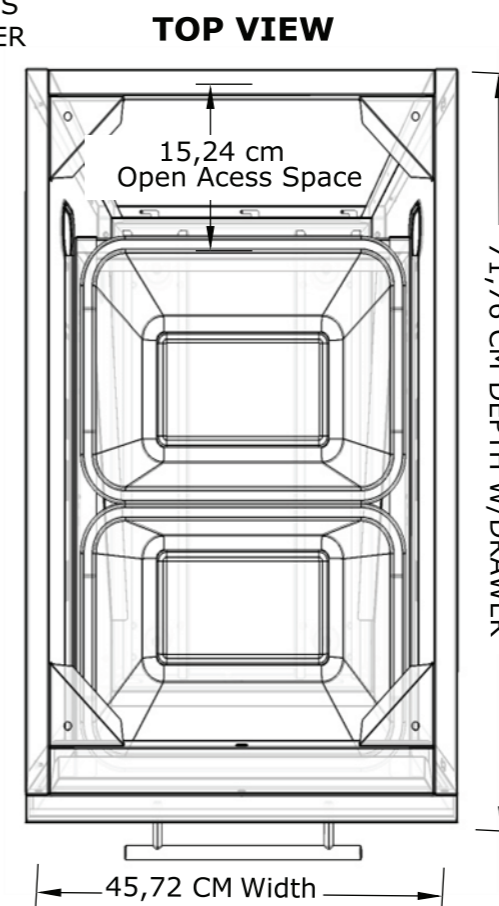
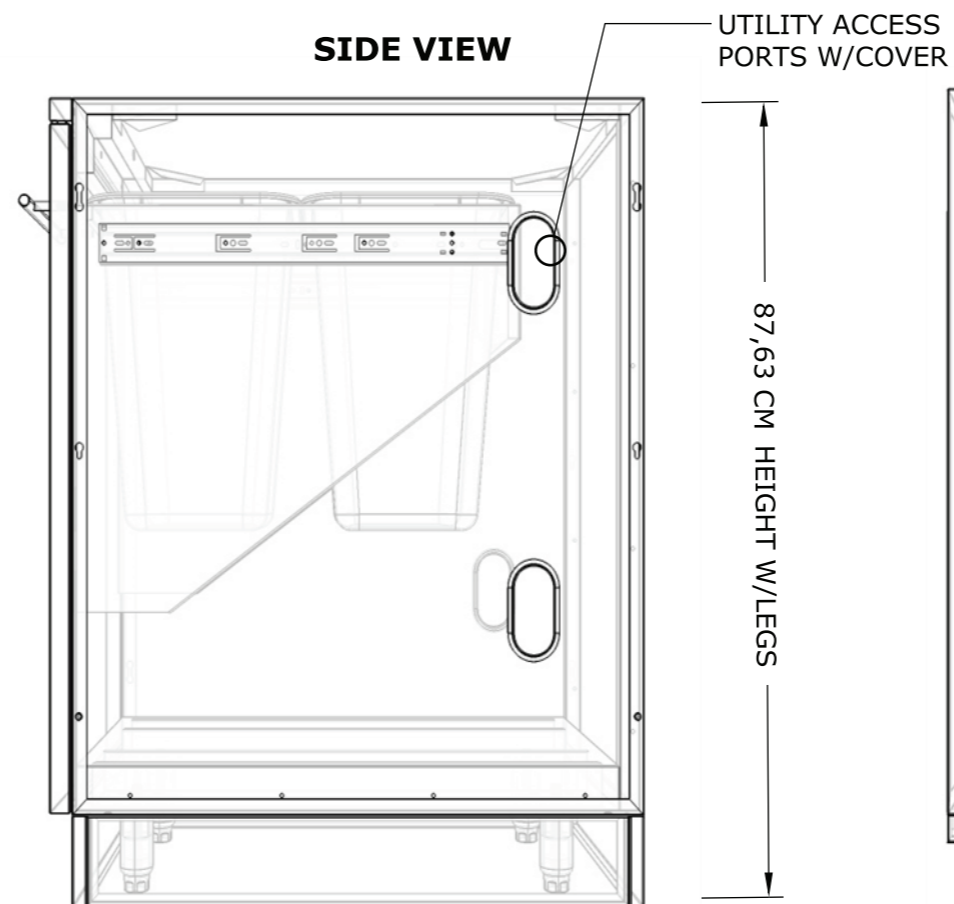
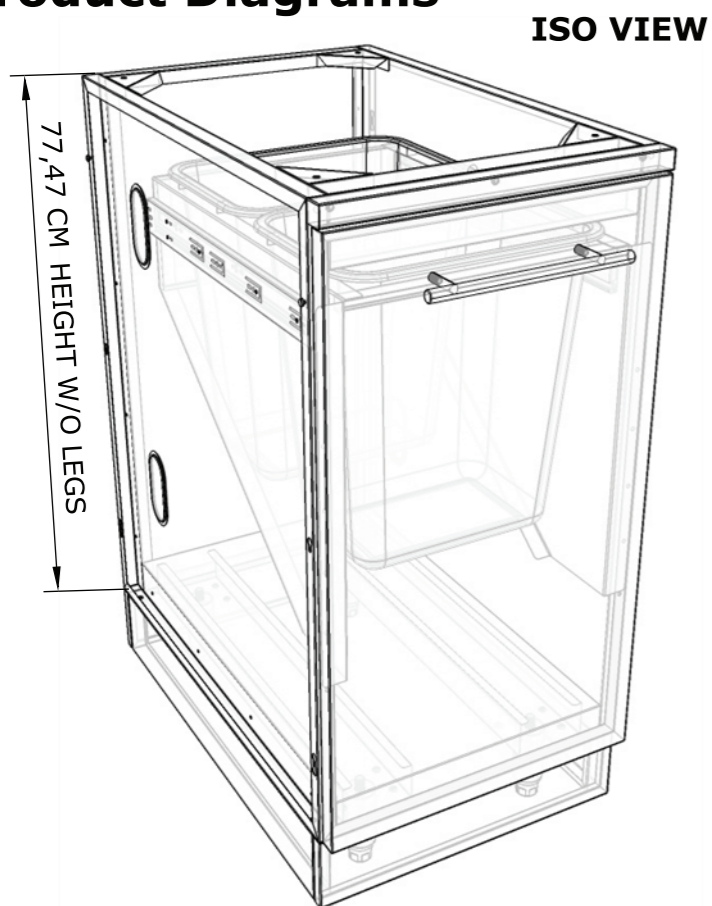
Product Dimensions



Product Components



Product Diagrams



Av. Combatentes do Ultramar, 184
2715-776 Lameiras, Sintra, Portugal
TEL: (+351) 219 670 073
Email: info@sunstoneoutdoorkitchens.com

PRODUCT

Trash Drawer Cabinet
w/Two Top Loading Bins

Item No. SBC18STRD

DESCRIPTION

Trash Drawer Cabinet with
Two Top Loading Bins

- Lifetime Structure Warranty
- 304 Stainless Steel Structure
- 304 SS Rod Handles
- Front & Back Kick-Plates
- Easy Pin-Lock Installation
- Soft-Close Drawer Tracks
- Covered Access Ports
- Adjustable Peg-Legs
- Optional Wheel Casters

INCLUDED COMPONENTS

- Front Vented Kick Plate
- Back Kick Plate
- (4) Adjustable Peg Legs
- (2) Plastic Trash Bins

PRODUCT DIMENSIONS

45,72 W x 71,75 D (w/Drawers) x 34-1/2" H (w/Legs)
45,72 W x 71,75 D (w/Drawers) x 77,47 H (no Legs)
or Upto 91,44 cm Max Adjustable Height

INSERT DIMENSIONS

40,64cm Width x 47,72cm Depth

INSERTABLE PRODUCTS

Trash Chute - A-TRCH

MATERIAL SPECS

304 Stainless Steel entire
structure, 18 Gauge for Door
Panel, 18 Gauge for Cabinet
Box, 18 Gauge for Shelf,
Handles are made of Solid 304
Stainless Steel Bar.