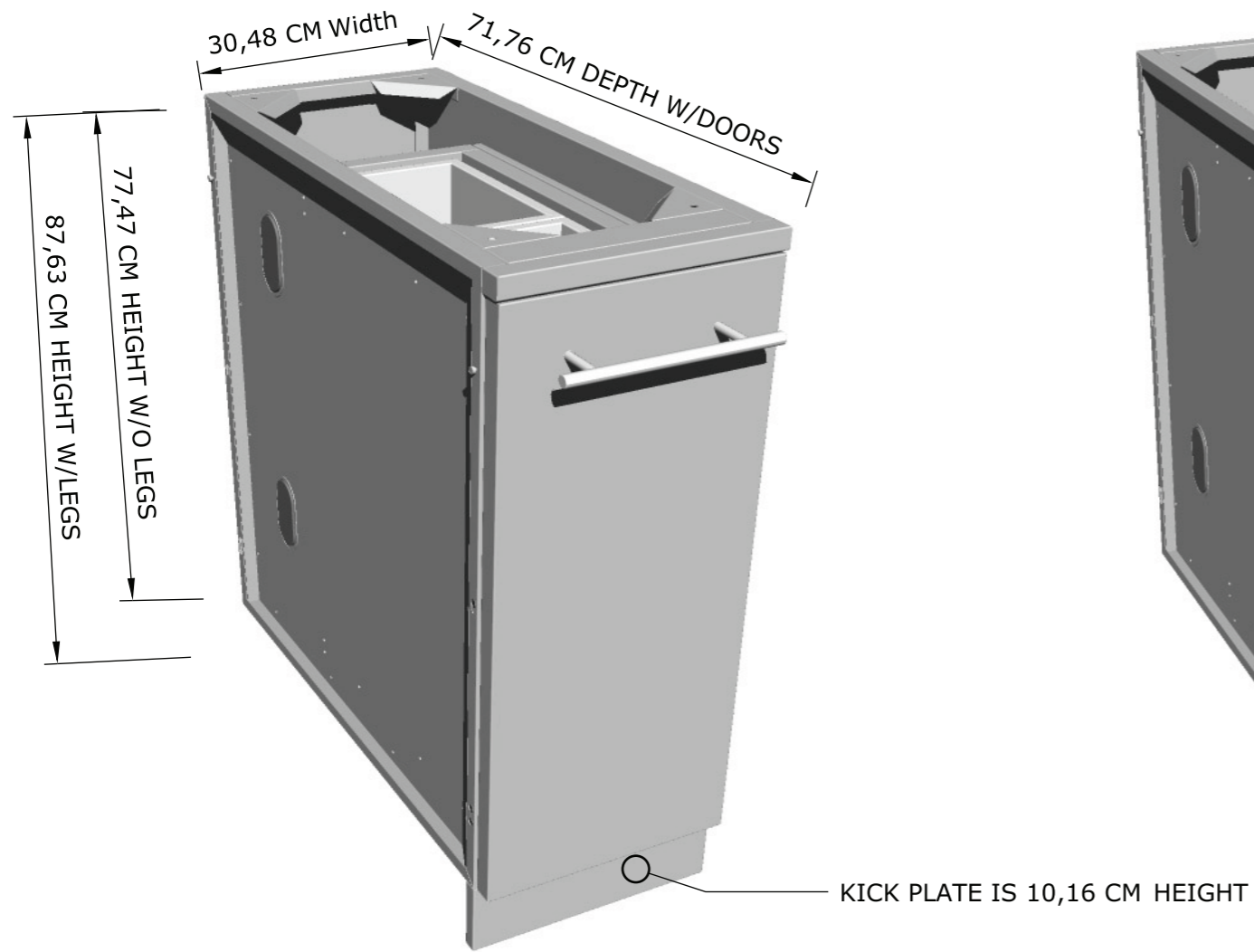
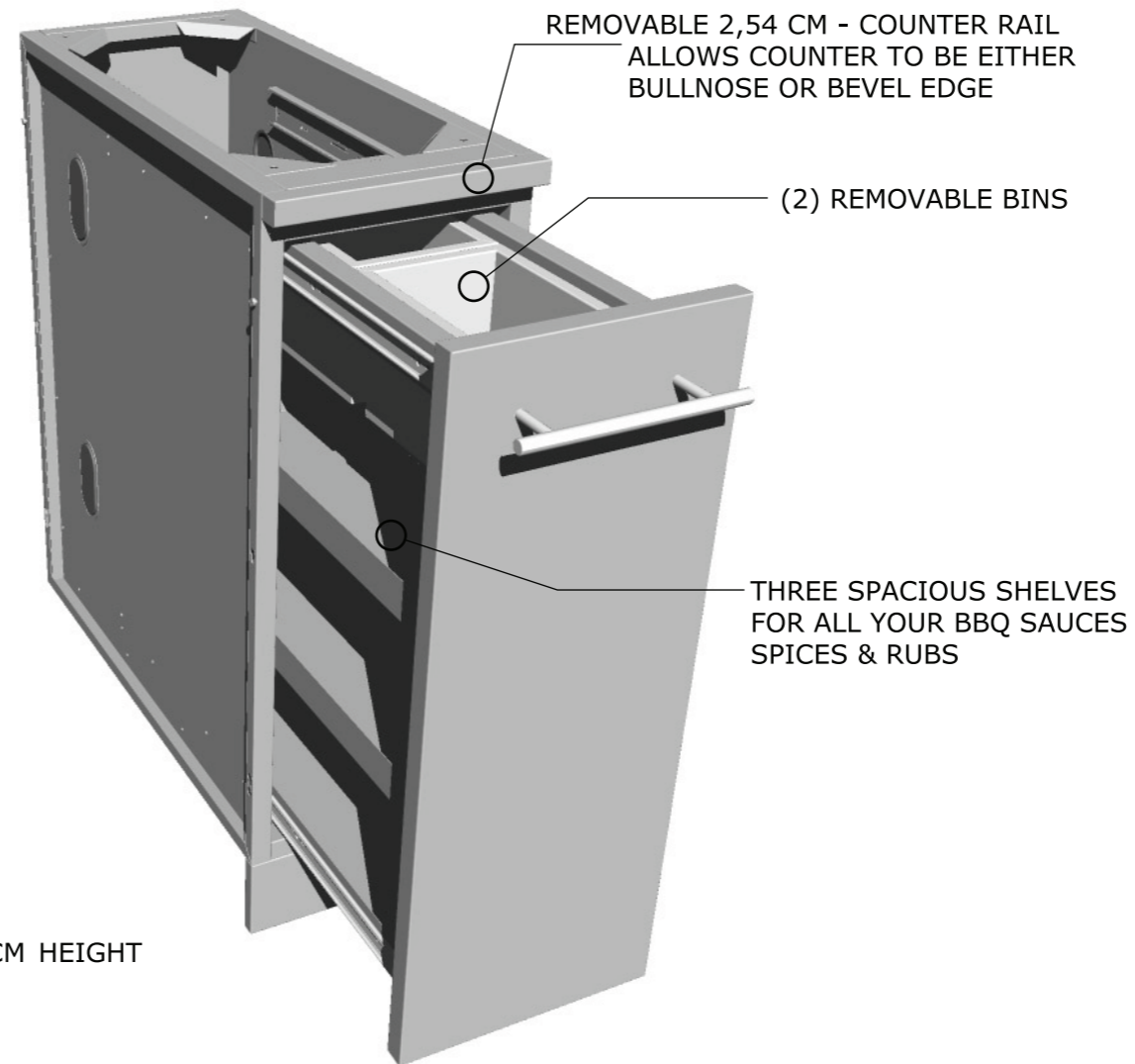


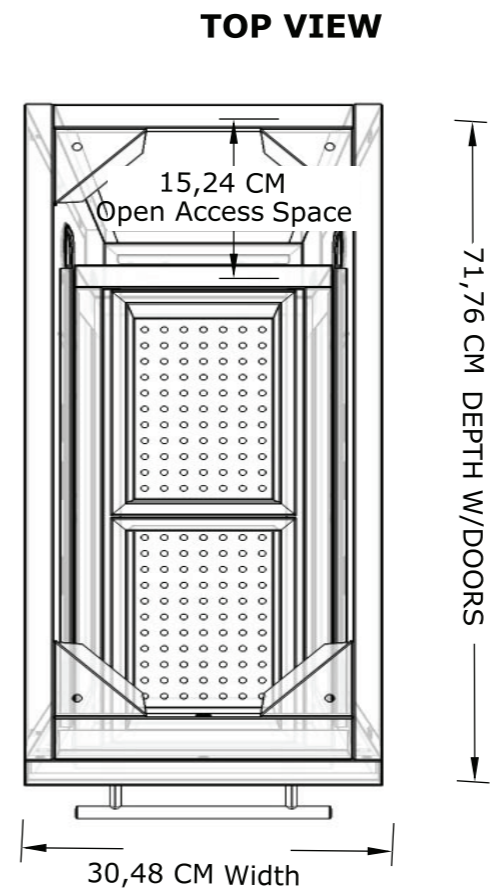
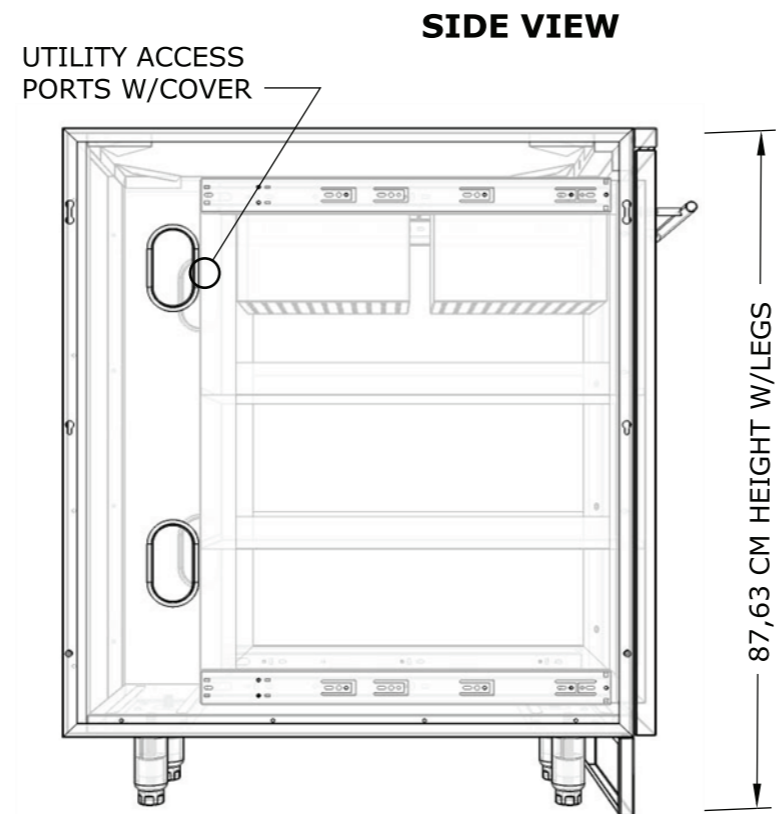
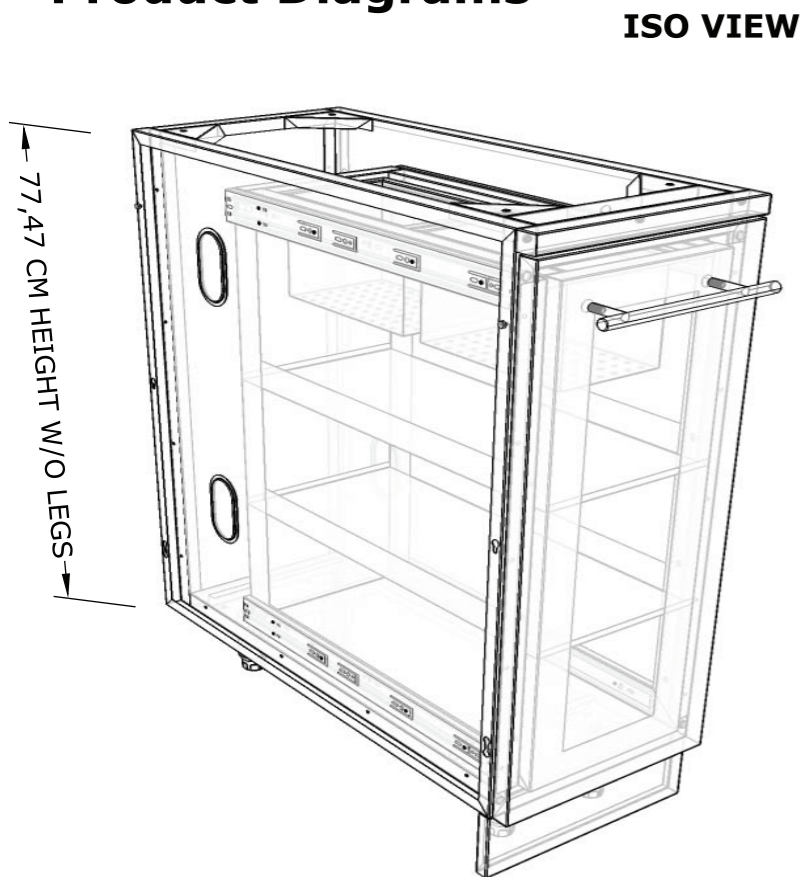
## Product Dimensions



## Product Components



## Product Diagrams



Av. Combatentes do Ultramar, 184  
2715-776 Lameiras, Sintra, Portugal  
TEL: (+351) 219 670 073  
Email: info@sunstoneoutdoorkitchens.com

### PRODUCT

Spice Rack Drawer  
w/Two Removable Bins

**Item No.** SBC12SSRD

### DESCRIPTION

Spice Rack Drawer with Two Top Removable Bins and Three Lower Shelves

- Lifetime Structure Warranty
- 304 Stainless Steel Structure
- 304 SS Rod Handles
- Front & Back Kick-Plates
- Easy Pin-Lock Installation
- Soft-Close Drawer Tracks
- Covered Access Ports
- Adjustable Peg-Legs
- Optional Wheel Casters

### INCLUDED COMPONENTS

- Front Kick Plate
- Back Kick Plate
- (4) Adjustable Peg Legs
- (2) Condiment Top Baskets

### PRODUCT DIMENSIONS

30,48 W x 71,75 D (w/Drawers) x 87,63 H (w/Legs)  
30,48 W x 71,75 D (w/Drawers) x 77,47 H (no Legs)  
or Upto 91,44 cm Max Adjustable Height

### INSERT DIMENSIONS

NONE

### INSERTABLE PRODUCTS

NONE

### MATERIAL SPECS

304 Stainless Steel entire structure, 18 Gauge for Door Panel, 18 Gauge for Cabinet Box, 18 Gauge for Shelf, Handles are made of Solid 304 Stainless Steel Bar.