

N.B. Temperature inside the room where Klima is placed: min/max +18°C/+40°C.
Outside this range, KLIMA technology shall not work correctly.

DATA SHEET 700

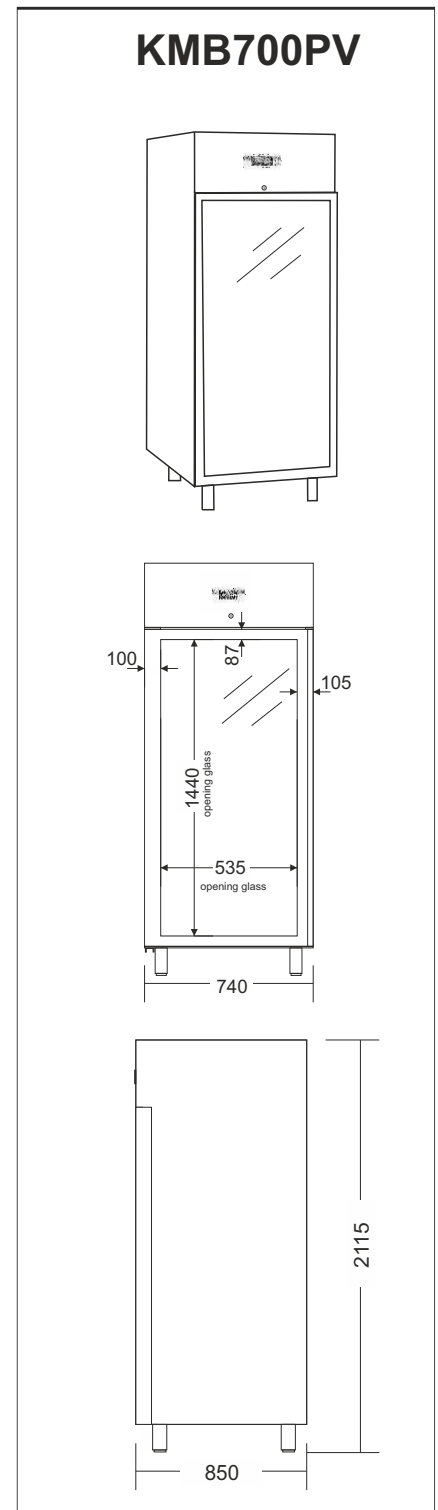
Length (mm): 740
Depth (mm): 850
Height (mm): 2115
Pallet size (mm): 770x940x2180

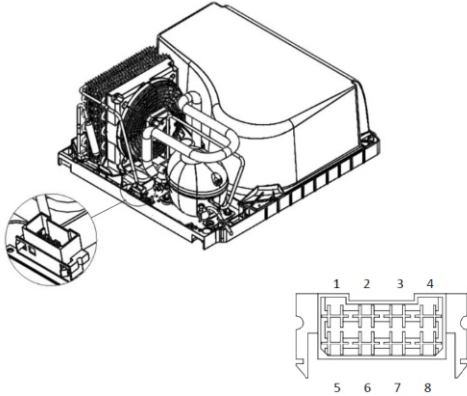
Net weight (kg): 162
Packed unit weight (kg): 177

Litres capacity: 700 LT
Production capacity (kg): min 80 - max 130
Electrical power: 1,20 kW
Electrical connection: 230V - 50-60 Hz
Operating temperature: 0°C +4°C

Model:

- **KMB700PV** - 1 glass door
- Entirely made of AISI stainless steel with Scotch-Brite finishing with AISI 430 inox steel back panel
- Insulated with cyclopentane
- Evaporator outside the room
- Adjustable inox steel feet
- Key hole on front
- Internal gearing with AISI 304 inox steel rails with roll over protection
- Reversible self-closing doors with gasket



COSTUMIZED SINGLE BLOCK REFRIGERATION GROUP

- 1- Neutral compressor
- 2- Neutral ventilator condenser
- 3- Neutral ventilator evaporator
- 4- Neutral defroster
- 5- Phase compressor
- 6- Phase ventilator condenser
- 7- Phase ventilator evaporator
- 8- Phase defroster

- Energy Efficiency Class 5 (Tropicalised)
- Gas R290 = GWP 3 (Global Warming potential = GWP) (R134a – GWP 1430) - (R404 – GWP 3922)
- Assembled using low environmental impact material, such as EPS and PP
- High efficiency unit with HC-R290 natural cooling gas
- Warm gas smart defrosting system which starts automatically only when necessary
- High efficiency version with low consumption motor fans and compressors
- Effective internal air circulation thanks to high efficiency ventilation system
- Autonomous evaporation of condensed water which starts automatically when condensation is formed
- Built-in evaporator to keep more free space inside the chamber
- Big sized condenser and evaporator
- Forced ventilation
- Fast Service System: simplified maintenance and assistance (do not require specialized personnel, simple and quick operations)
- Self-cleaning wire condenser, no maintenance needed.
- Refrigerating power 406W - Electrical power 228W

STANDARD EQUIPMENT:

- Test center function
- Tropicalised and customized climate class 5 refrigerant group with Gas R290
- Digital control
- White self-igniting led lights
- Horizontal and vertical air flow «patented»
- Humidity and temperature probe
- Datalogger for HACCP
- 6 preset and customizable recipes
- Possibility to set 8 phases per each recipe
- Sanitizer "Oxigenklima»
- Temperature humidity and electrical power supply alarm management
- Predisposed for direct discharge of evaporator condensation
- Calling assistance to a correct installation of the machine and training on the basic use of the panel control (phone date to be agreed in advance)