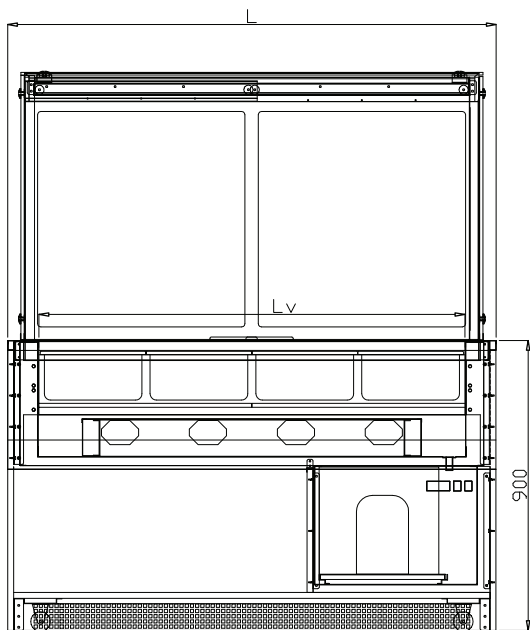
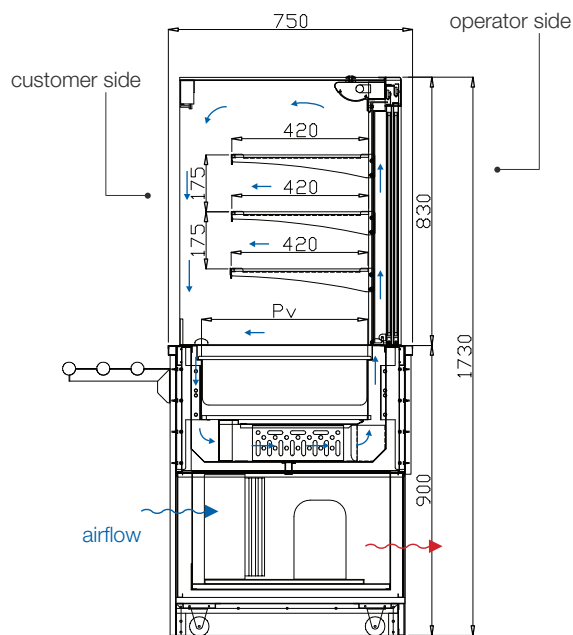


Refrigerated and ventilated display case on refrigerated tank - 3 shelves, squared

- ▶ Stainless steel top H 30 mm in AISI 304, th. 12/10 with straight edges
- ▶ Refrigerated laminar airflow in the tank and on all shelves
- ▶ Stainless steel height-adjustable blind bottoms (useful height 30-150 mm)
- ▶ Evaporator with anti-corrosion coating, which can be lifted to easily clean the well
- ▶ Insulation by high density expanded polyurethane without C.F.C. and H.C.F.C.
- ▶ With condensing unit or pre-set for remote refrigeration
- ▶ Automatic condensed water evaporation
- ▶ Digital control system for temperature adjustment and defrosting
- ▶ Counter in laminated wood, on wheels
- ▶ LED lighting on the ceiling
- ▶ Sliding doors on operator side to easily refill the display



operator side view



	2 GN1/1	3 GN1/1	4 GN1/1	5 GN1/1
External dimensions [mm] LxPxH	845x750x1730	1170x750x1730	1500x750x1730	1825x750x1730
Well dimensions [mm] LvxPxHv	650x510x30/150	980x510x30/150	1310x510x30/150	1630x510x30/150
Capacity GN 1/1 containers	2 GN1/1	3 GN1/1	4 GN1/1	5 GN1/1
Temperature [°C] closed, w/flaps	-1/+5*	-1/+5*	-1/+5*	-1/+5*
Temperature [°C] w/curtain	-1/+7**	-1/+7**	-1/+7**	-1/+7**
Refrigerant gas	R404A	R404A	R404A	R404A
Cooling power at -10°C [W]	750	980	1150	1650
Total power [Kw]	0,8	1	1,1	1,3
Supply voltage (50Hz)	230V 1F+N	230V 1F+N	230V 1F+N	230V 1F+N

* Classification 2M1 according to UNI EN ISO 23953-1:2006, UNI EN ISO 23953-2:2006
 ** Classification 2M2 according to UNI EN ISO 23953-1:2006, UNI EN ISO 23953-2:2006