

## FE7215

### 15+15 Litre ELECTRIC FRYER



- Unit made of steel throughout
- 1.2mm thick pressed top
- Height-adjustable steel feet
- Steel tanks with rounded corners and pressed bottom for ease of cleaning
- Top with anti-drip edge
- Wide cool zone in the bottom for collecting cooking debris
- Chrome-plated cast brass draining tap for oil drainage in the oil collector (fitted with filter) situated in the base
- Heating elements protected by a pull-out chrome-plated grid
- Highly efficient stainless steel armoured heating elements with lift-up mechanism for ease of cleaning of tank
- Thermostat temperature control (up to 190°C); fixed setting (230°C) safety thermostat to avoid overheating
- Bulbs protected for knock resistance
- Features:
  - 3 baskets on single module (2 half- and one single basket)
  - 1 oil collector for each appliance

### General technical data

Dimensions: (mm) **600x700x900**

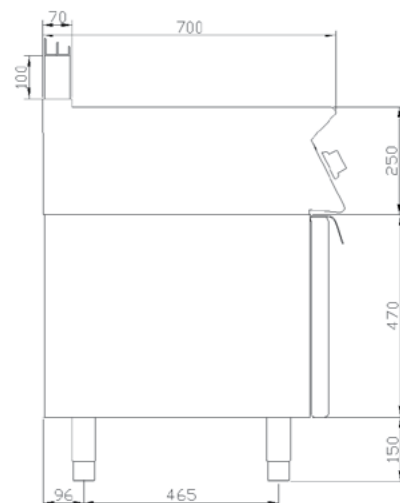
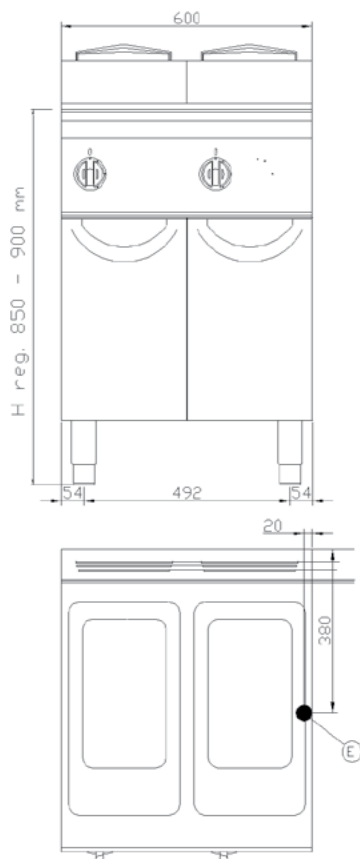
Volume: (m<sup>3</sup>) **0,6**

Weight:: (Kg) **76**

### Electrical connection

kW **20,4**

Power supply voltage **VAC 400/3N 50/60Hz**



- (G) GAS INLET
- (E) ELECTRICAL PLUG
- (A) WATER INLET
- (C) HOT WATER INLET
- (F) COLD WATER INLET
- (S) WATER DRAIN