



Av. Combatentes do Ultramar, 184
2715-776 Lameiras, Sintra, Portugal
Tel: (+351) 219 670 073
Email: info@sunstoneoutdoorkitchens.com

PRODUCT

Height Triple
Drawer

Item No. DE-DD23

DESCRIPTION

Designer Series, Raised Style
Triple Drawer

PRODUCT DIMENSIONS

(PRODUCT SIZE) 45,7cm WIDTH x
58,4cm HEIGHT x 58,4cm DEPTH
(CUT-OUT) 41,9cm WIDTH x 53,3cm
HEIGHT x 55,9cm DEPTH

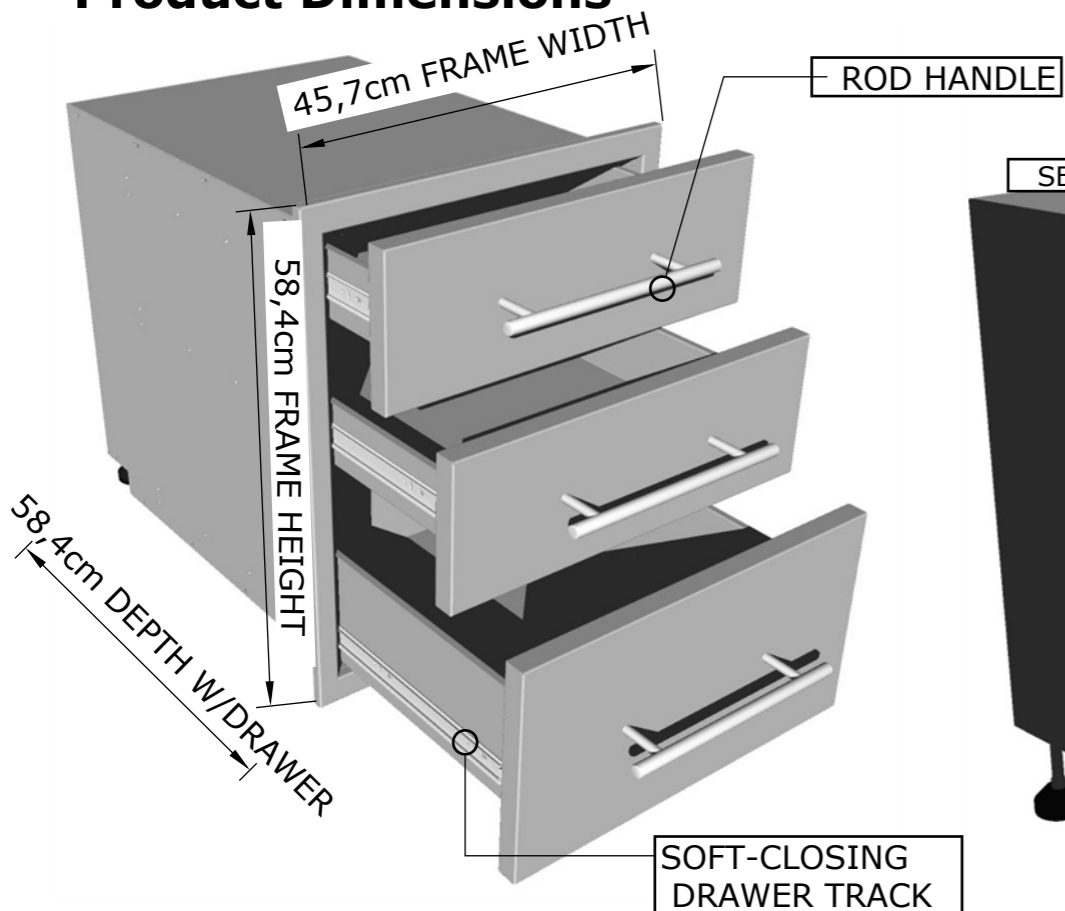
SPECIFICATIONS

Frame is made from 16 gauge 304 SS,
and panel's are made from 18 gauge
304 SS. Inside Drawer Box is made with
20 gauge 201 SS. Handle is Solid 304
SS.

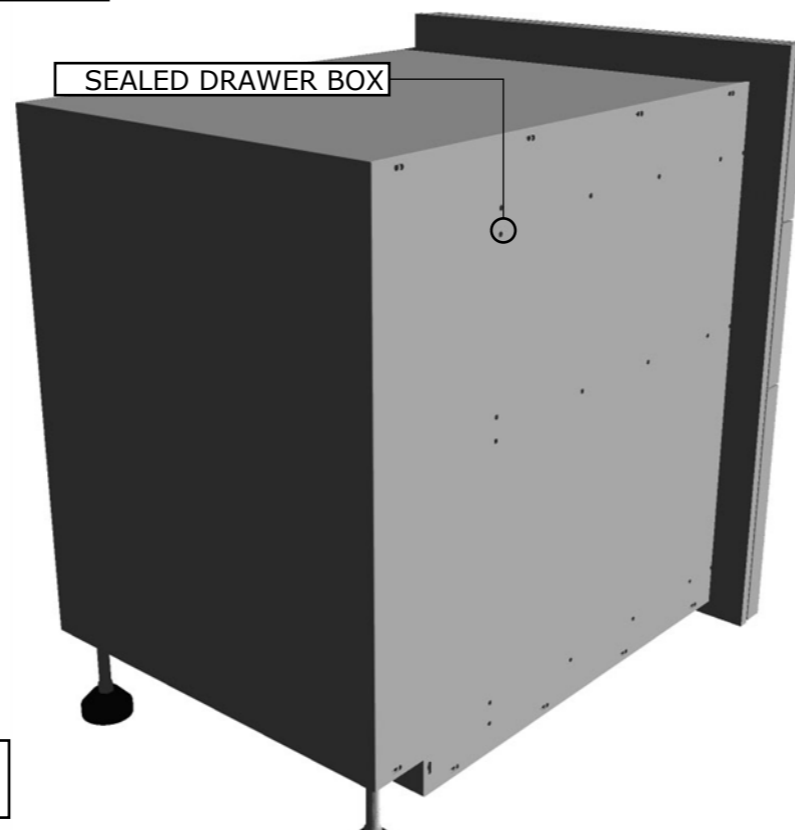
WARRANTY

- EXTERIOR FINISH -----2 YEARS
- ROD HANDLES-----2 YEARS
- DRAWER TRACK----- 1 YEAR
- PEG-LEGS----- 1 YEAR

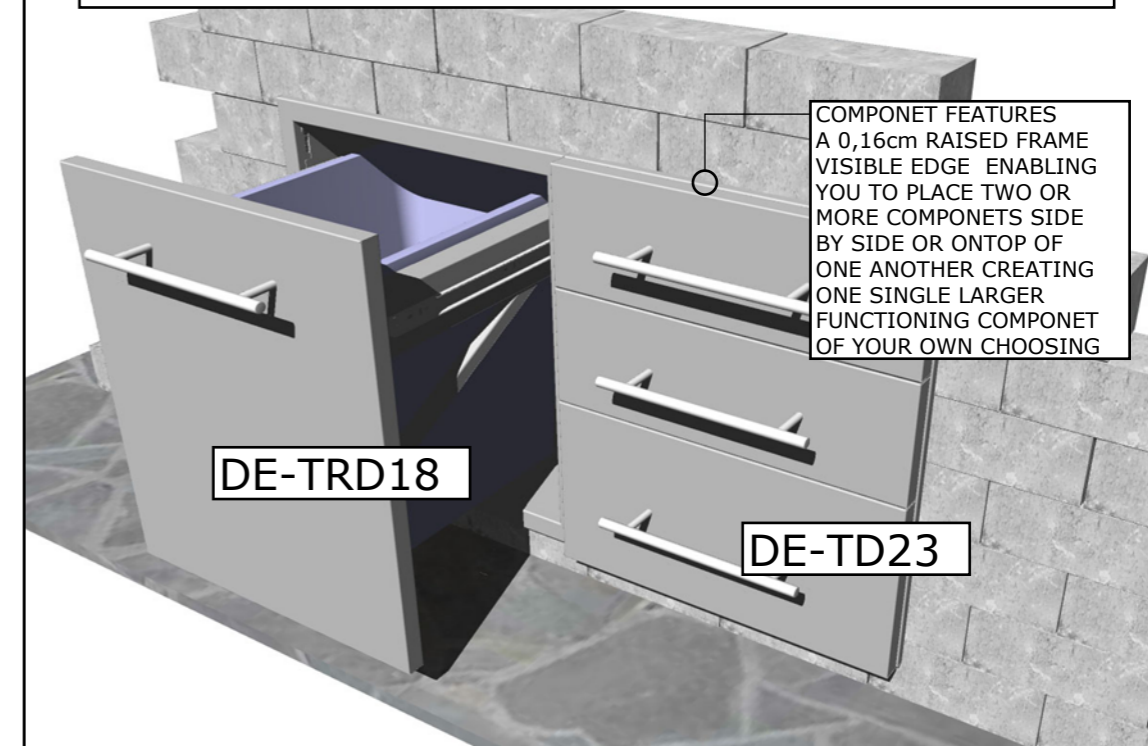
Product Dimensions



Product Features



COMBINE MULTIPLE COMPONENTS TOGETHER INTO UNLIMITED COMBINATIONS



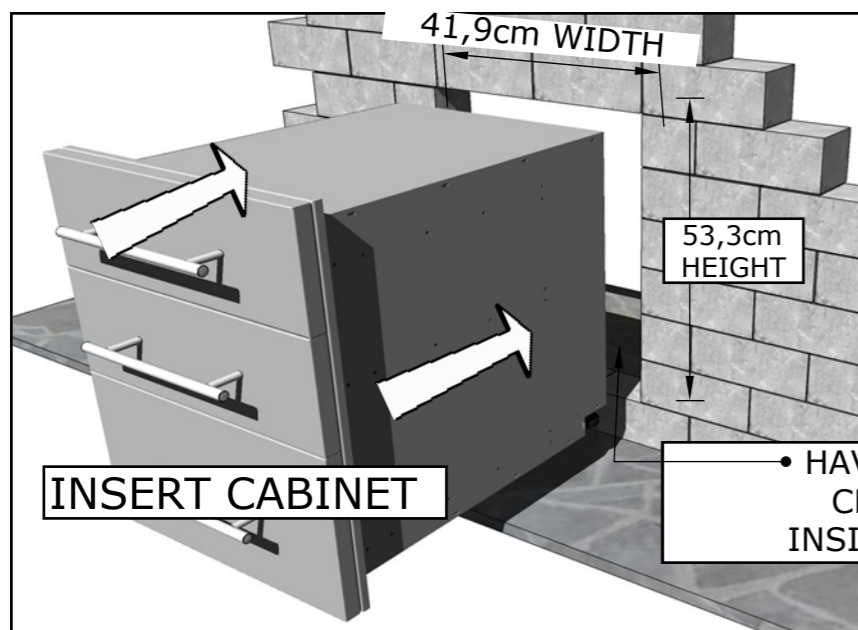
Product Installation

ISLAND WALL CUT-OUT SIZE IS
41,9cm WIDTH BY 53,3cm HEIGHT BY 55,9cm DEPTH

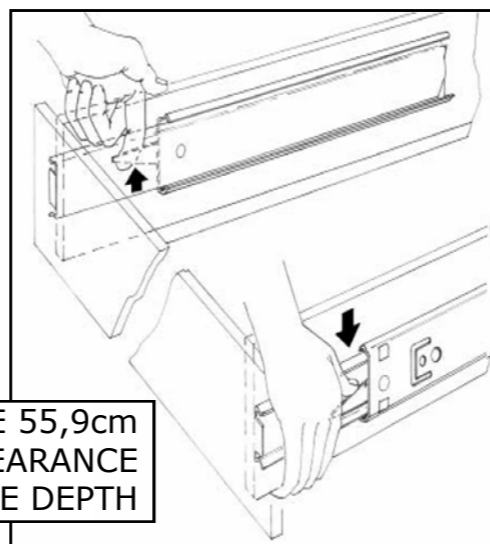
IMPORTANT!! - ROD HANDLES ARE MOUNTED TO INSIDE OF EACH PANEL, YOU MUST UNSCREW EACH ONE AND MOUNT ON OUTSIDE OF DRAWER OR DOOR PANEL.

See SUNSTONE manufacture website for additional product support and product tutorials:
www.sunstoneoutdoorkitchens.com

1 . INSERT COMPONENT



2. REMOVE DRAWERS



REMOVE DRAWERS IN ORDER TO MOUNT BOX

- Pull the drawer fully open so Levers are visible.
- Push "DOWN" on the right lever, and "UP" on the left lever.
- Holding levers in place, pull drawer toward you.

3. MOUNT DRAWER & LOWER LEGS

