

SUNSTONE
OUTDOOR KITCHENS

PRODUCT

15" Single Door
w/Shelf

Item No. DE-DVR15

DESCRIPTION

Designer Series, Raised Style - 15"
Single Right Swing Door w/Shelf

PRODUCT DIMENSIONS

(PRODUCT SIZE) 38,1cm WIDTH x
58.42cm HEIGHT x 12.1cm DEPTH
(CUT-OUT) 34.29cm WIDTH x
53.34cm HEIGHT x 8.89cm DEPTH

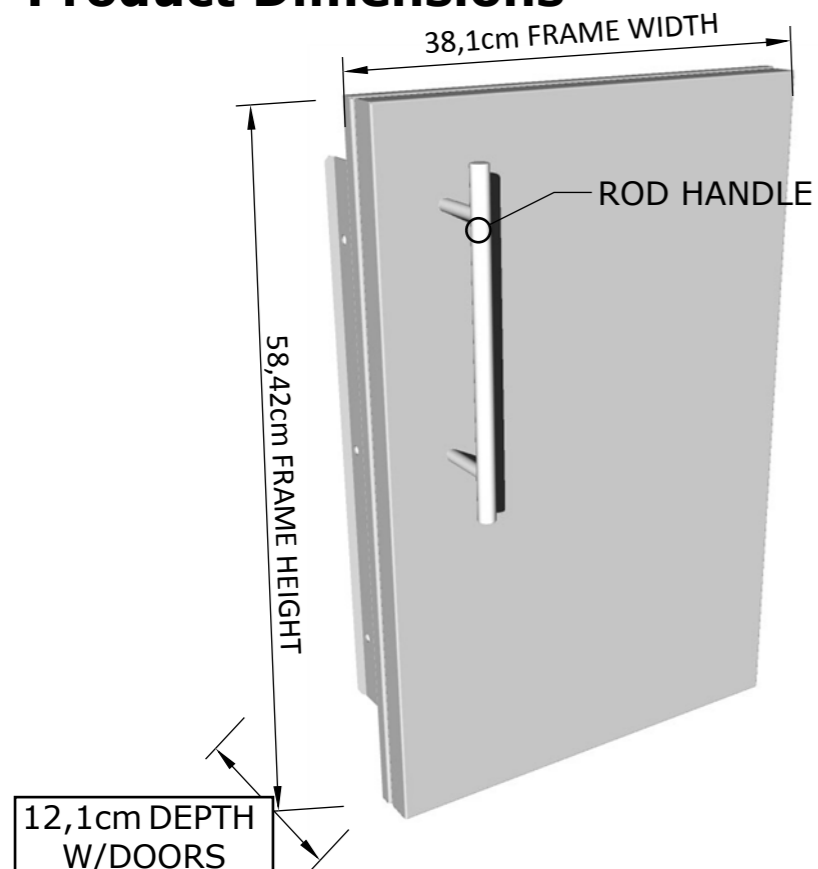
SPECIFICATIONS

Door Frame is made from 16 gauge
304 Stainless Steel, and door panel
is made from 18 gauge 304
Stainless Steel. Handle is Solid 304
Stainless Steel.

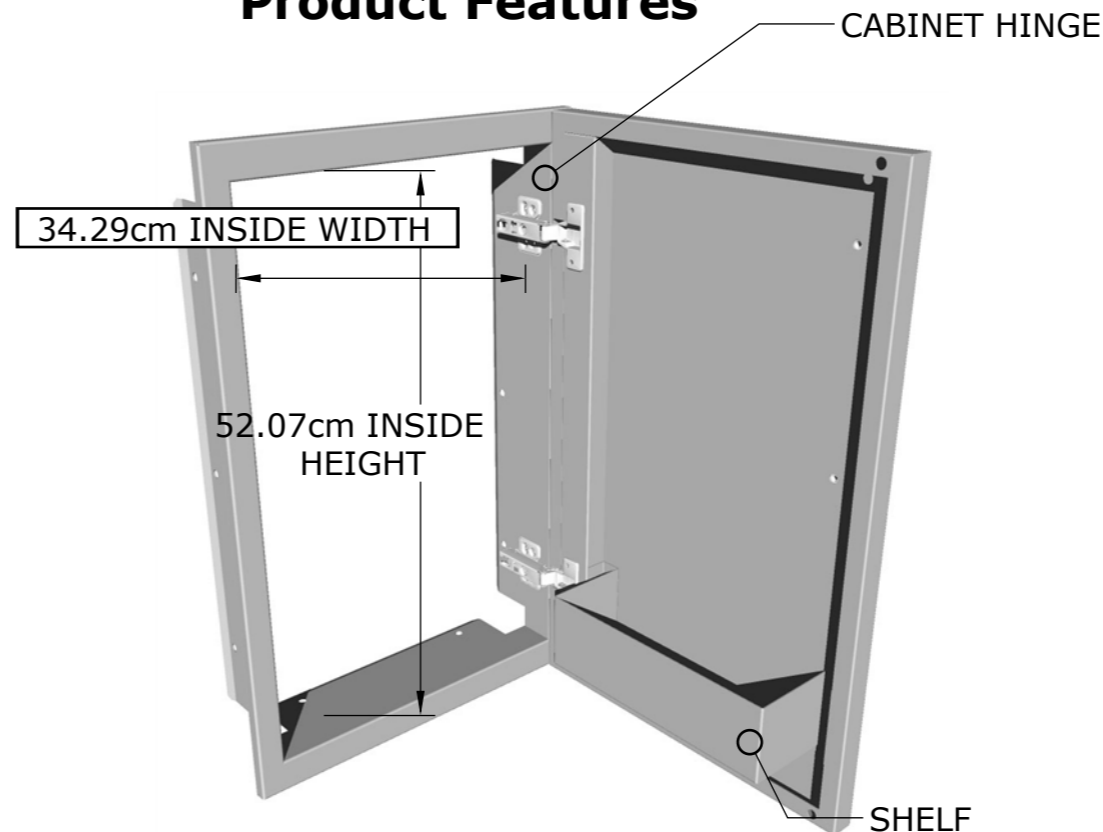
WARRANTY

- EXTERIOR FINISH -----3 YEARS
- ROD HANDLES-----3 YEARS
- CABINET HINGE----- 1 YEAR

Product Dimensions



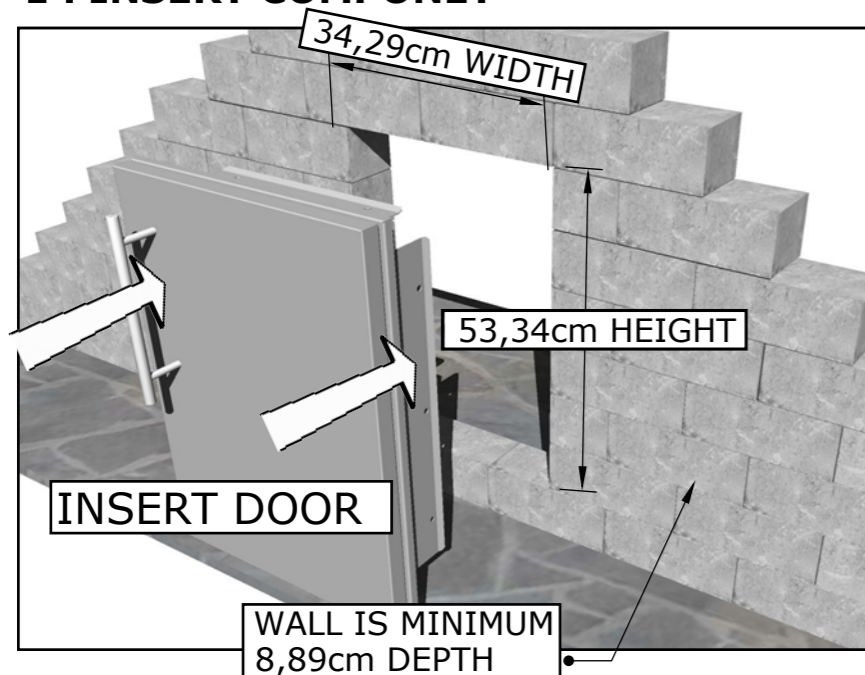
Product Features



Product Installation

ISLAND WALL CUT-OUT SIZE IS
34,29cm WIDTH BY 53,34cm HEIGHT BY 8,89cm DEPTH

1 . INSERT COMPONENT



IMPORTANT!! - ROD HANDLES ARE MOUNTED TO INSIDE OF EACH
PANEL, YOU MUST UNSCREW EACH ONE AND MOUNT ON OUTSIDE OF
DRAWER OR DOOR PANEL.

See SUNSTONE manufacture website for additional
product support and product tutorials:
www.sunstonemetalproducts.com

2. MOUNT DOOR TO FRAME

