

## AZZURI GRANDE

### FULLY AUTOMATIC BEAN TO CUP COFFEE MACHINE

INDUSTRY LEADING EQUIPMENT



A stylised bean to cup coffee machine for use with fresh beans and fresh milk to produce a variety of **premium hot drink options**



#### SCREEN DISPLAY

Screen display allows for easy selection



#### DIGITAL CONTROL AND DISPLAY

Microprocessor control provides access to system settings and additional functions. Digital interface displays critical info on system status,



#### SERVING SIZE

Intelligent one touch sizing options ranging from 15ml to 240ml



#### LARGE HOPPER

1000g bean hopper to cater for small and large events.



#### DUAL OUTPUT

Dual delivery allows for catering for high capacity conference and events.. Offering 2 same coffee options at the same time



#### MILK SYSTEM

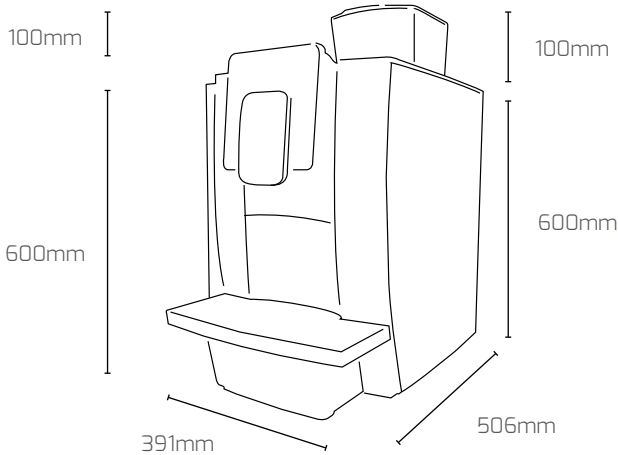
Coffee and milk/foam can be made simultaneously for high efficiency.

HIGH END **DUAL AUTOMATIC BEAN TO CUP MACHINE** WITH  
VARIED DRINK OPTIONS. PLUS INTELLIGENT ONE TOUCH  
SERVING CONTROL

MAXIMISE YOUR PROFITS

# AZZURI GRANDE

## FULLY AUTOMATIC BEAN TO CUP COFFEE MACHINE



### SPECIFICATIONS

|                 |   |
|-----------------|---|
| Colours         | Sliver & Black                            |
| Hopper          | 1000g                                     |
| Water tank      | 6L  |
| Output Capacity | 110 Cups p/d                              |
| Pump Pressure   | 2 x pumps, 19 Bar<br>(Dual Thermo blocks) |

### WEIGHT

|     |       |
|-----|-------|
| Net | 14 KG |
|-----|-------|

### DIMENSIONS

|        |                    |
|--------|--------------------|
|        | NET (MM)           |
| Width  | 391/581 w/ chiller |
| Depth  | 506                |
| Height | 600/+100 clearance |

### ELECTRICAL

|                          |           |
|--------------------------|-----------|
| AMP                      | FREQUENCY |
| 13                       | 50-60Hz   |
| Heating Power 1400 watts |           |

### FEATURES

|  |   |
|--|---|
| COMPUTERIZED CONTROL SYSTEM                          | ✓ |
| EASY AND FAST PREPARATION                            | ✓ |
| DISPLAYS DRINK OPTION ON SCREEN                      | ✓ |
| CUSTOMIZE YOUR DRINK AND YOUR DRINK OPTION           | ✓ |
| CONTROL THE COFFEE STRENGTH                          | ✓ |
| CONTROL WATER QUANTITY                               | ✓ |
| INTEGRATED CLEANING AND RINSING PROGRAMS FOR EASE OF |   |
| CLEANING AND HYGIENE                                 | ✓ |
| PRE-BREWING SYSTEM                                   | ✓ |
| WATER KIT OPTIONAL - TO PLUMB INTO WATER MAINS       | ✓ |
| OPTIONAL MOB PROTOCOL FOR PAYMENT SYSTEM             | ✓ |
| TWO THERMO-BLOCK HEATING SYSTEMS                     | ✓ |