

Slimline Refrigeration & Freezer Counters

Features

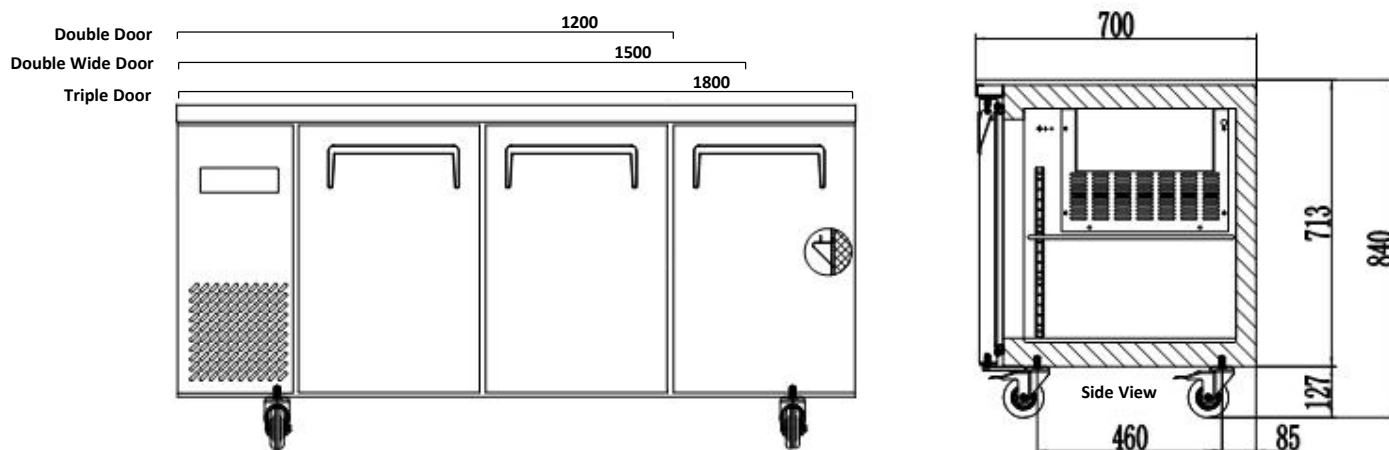
- Left hand side mounted compressor unit
- High Grade Stainless Construction Interior and Exterior
- Heavy duty Embraco compressor
- Self-closing and stay open door
- Easy to clean black plastic door handle
- Magnetic door gaskets
- Pre-installed castors
- Pre-installed shelves
- Climate Class 5 product



Product Code	Refrigeration
YPF9022GR	2 Door Refrigerator
YPF9032GR	2 Wide Door Refrigerator
YPF9042GR	3 Door Refrigerator

Product Code	Freezers
YPF9027GR	2 Door Freezer
YPF9037GR	2 Wide Door Freezer
YPF9047GR	3 Door Freezer

Slimline Refrigeration + Freezer Counters



Model	YPF9022GR	YPF9027GR	YPF9032GR	YPF9037GR	YPF9042GR	YPF9047GR
Exterior Dimension (WxDxH) mm	1200 x 700 x 840	1200 x 700 x 840	1500 x 700 x 840	1500 x 700 x 840	1800 x 700 x 840	1800 x 700 x 840
Interior Dimension (WxDxH) mm	800 x 580 x 580	800 x 580 x 580	1100 x 580 x 580	1100 x 580 x 580	1400 x 580 x 580	1400 x 580 x 580
Packing Dimension (WxDxH) mm	1250 x 750 x 890	1250 x 750 x 890	1550 x 750 x 890	1550 x 750 x 890	1850 x 750 x 890	1850 x 750 x 890
Shelf Dimensions mm	390 x 528	390 x 528	540 x 528	540 x 528	430 x 528 490 x 528	430 x 528 490 x 528
Shelf Quantity	4	4	4	4	6	6
Shelf Loading Capacity (Kg Pc)	14	14	14	14	14	14
Capacity (Litre)	270	270	370	370	470	470
Net Weight (Kgs)	79	79	85	85	91	91
Gross Weight (Kgs)	89	89	95	95	101	101
Voltage	220/50/1	220/50/1	220/50/1	220/250/1	220/50/1	220/250/1
Power (Watts)	270	550	270	550	270	550
Electrical Current (Amps)	1.5	2.9	1.5	2.9	1.5	2.9
KWh/annum	788	1752	857	1985	920	2194
Energy Efficiency Class	B	C	B	C	B	C
Climate Class	5	5	5	5	5	5
Defrost Method	Air Defrost	Hot Gas Defrost	Air Defrost	Hot Gas Defrost	Air Defrost	Hot Gas Defrost
Refrigerant Type / Amount	R600a / 100g	R290hc / 90g	R600a / 100g	R290hc / 90g	R600a / 100g	R290hc / 90g
Cooling Method	Ventilated	Ventilated	Ventilated	Ventilated	Ventilated	Ventilated
Inner Temperature (°C)	+2°C to +8°C	-17°C to -21°C	+2°C to +8°C	-17°C to -21°C	+2°C to +8°C	-18°C to -21°C
Insulation	Polyurethane foam	Polyurethane foam	Polyurethane foam	Polyurethane foam	Polyurethane foam	Polyurethane foam
Foaming Material	C5H10	C5H10	C5H10	C5H10	C5H10	C5H10
Castors	4 (2 Braked on front)	4 (2 Braked on front)	4 (2 Braked on front)	4 (2 Braked on front)	4 (2 Braked on front)	4 (2 Braked on front)
Material External / Internal	S/S Int + Ext	S/S Int + Ext	S/S Int + Ext	S/S Int + Ext	S/S Int + Ext	S/S Int + Ext
Lighting	No	No	No	No	No	No
Door lock	No	No	No	No	No	No