

Slimline Glass Door Uprights

YCF9401

YCF9407



YCF9402

YCF9408



YCF9403

YCF9409



Features

- Top mounted compressor units
- Slimline design – reduced footprint
- High Grade Stainless Steel Construction Interior & Exterior
- Heavy duty Embraco compressor
- Self-closing and stay open door
- Recessed door handle
- Standard safety door lock
- Easy to clean interior with rounded corner design
- Magnetic door gaskets
- LED Lighting
- Pre-installed castors
- Pre-installed shelves
- Climate Class 4 product

Product Code

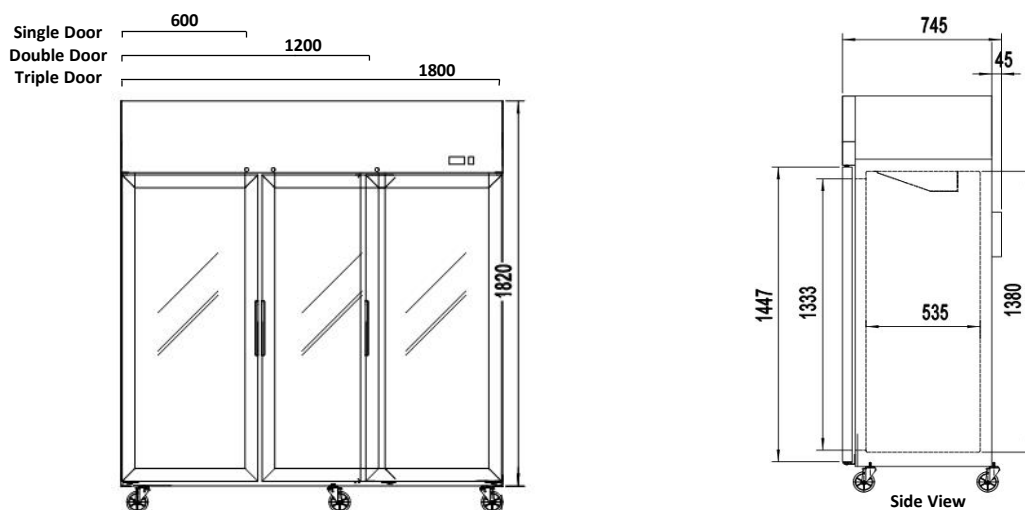
YCF9401GR	Single Glass Door Refrigerator
YCF9407GR	Single Glass Door Freezer
YCF9402GR	Double Glass Door Refrigerator
YCF9408GR	Double Glass Door Freezer
YCF9403GR	Triple Glass Door Refrigerator
YCF9409	Triple Glass Door Freezer

Optional Extras



Description
Extra shelf and Runners

Slimline Glass Door Uprights



Model	YCF9401GR	YCF9407GR	YCF9402GR	YCF9408GR	YCF9403GR	YCF9409
Exterior Dimension (WxDxH) mm	600 x 745 x 1945	600 x 745 x 1945	1200 x 745 x 1945	1200 x 745 x 1945	1800 x 745 x 1945	1800 x 745 x 1945
Interior Dimension (WxDxH) mm	500x540x1380	500x540x1380	1100x540x1380	1100x540x1380	1700x540x1380	1700x540x1380
Packing Dimension (WxDxH) mm	640x774x2050	640x774x2050	1240x774x2050	1240x774x2050	1840x774x2050	1840x774x2050
Shelf Dimensions mm	485x525 shelf	485x525 shelf	525x530 shelf	430x525 shelf	525x530 / 560 x 530 shelf	525x530 / 560 x 530 shelf
Shelf Quantity	4	4	8	8	12	12
Shelf Loading Capacity (Kg Pc)	40	40	40	40	40	40
Capacity (Litre)	410	410	900	900	1390	1390
Net Weight (Kgs)	90	90	140	140	190	190
Gross Weight (Kgs)	100	100	150	150	200	200
Voltage	220/50/1	220/50/1	220/50/1	220/50/1	220/50/1	220/50/1
Power (Watts)	290	800	450	1000	400	1300
Electrical Current (Amps)	1.5	4.5	2.3	4.8	1.8	6
KWh/annum	N/A	N/A	N/A	N/A	N/A	N/A
Energy Efficiency Class	N/A	N/A	N/A	N/A	N/A	N/A
Climate Class	4	4	4	4	4	4
Defrost Method	Air Defrost	Hot Gas Defrost	Air Defrost	Hot Gas Defrost	Air Defrost	Electric Defrost
Refrigerant Type / Amount	R600a / 80g	R290hc / 90g	R600a / 130g	R290hc / 150g	R290hc / 150g	R404a / 650g
Cooling Method	Ventilated	Ventilated	Ventilated	Ventilated	Ventilated	Ventilated
Inner Temperature (°C)	+2°C to +8°C	-20°C to -17°C	+2°C to +8°C	-20°C to -17°C	+2°C to +8°C	-20°C to -17°C
Insulation	Polyurethane foam	Polyurethane foam	Polyurethane foam	Polyurethane foam	Polyurethane foam	Polyurethane foam
Foaming Material	C5H10	C5H10	C5H10	C5H10	C5H10	C5H10
Castors	4 (2 Braked on front)	4 (2 Braked on front)	4 (2 Braked on front)	4 (2 Braked on front)	6 (3 Braked on front)	6 (3 Braked on front)
Material External / Internal	S/S Int + Ext	S/S Int + Ext	S/S Int + Ext	S/S Int + Ext	S/S Int + Ext	S/S Int + Ext
Lighting	Yes	Yes	Yes	Yes	Yes	Yes
Door lock	Yes	Yes	Yes	Yes	Yes	Yes