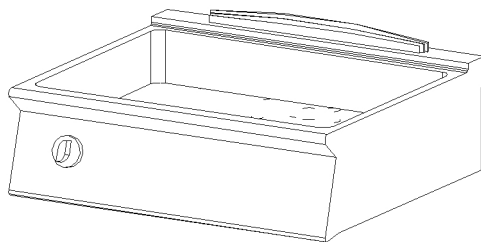




BM740T

ELECTRIC BAIN MARIE - COUNTERTOP VERSION



- Exteriors made of steel throughout
- 1.2mm thick top
- Tanks with rounded corners and edges designed to accommodate GN 1/1 + G/N 1/3 containers
- Supplied with separating bars for gastronorm containers for different layouts
- Water filling tap inside tank
- Water ball valve drain
- Silicone coated wire heating elements anchored under the bottom of the tank for ease of cleaning
- Thermostat temperature regulation (0° to 90°C)

General technical data

Dimensions: (mm)

400x700x250

Volume: (m³) **0**

Weight: (Kg) **0**

Electrical connection

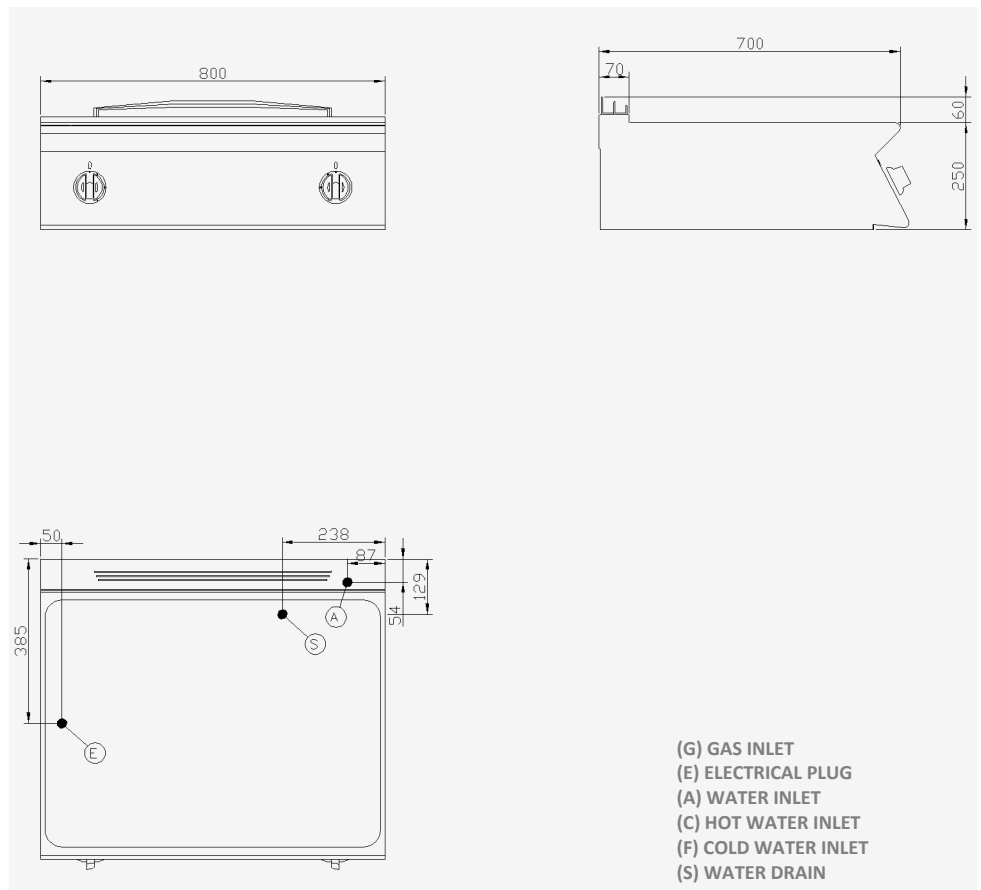
kW **2,2**

Power supply voltage

230V/1 50/60Hz

Cold water connection **3/4"**

Water drain **1/2"**



- (G) GAS INLET
- (E) ELECTRICAL PLUG
- (A) WATER INLET
- (C) HOT WATER INLET
- (F) COLD WATER INLET
- (S) WATER DRAIN