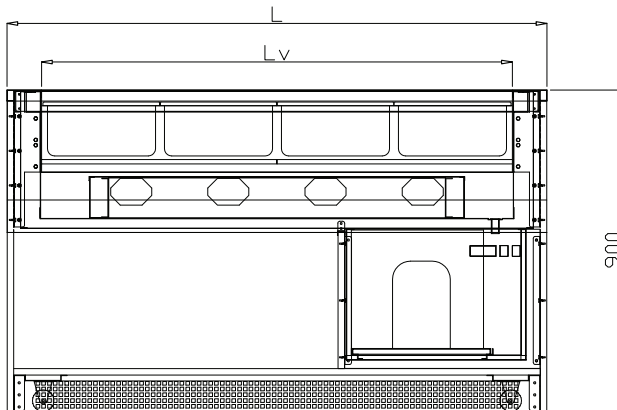
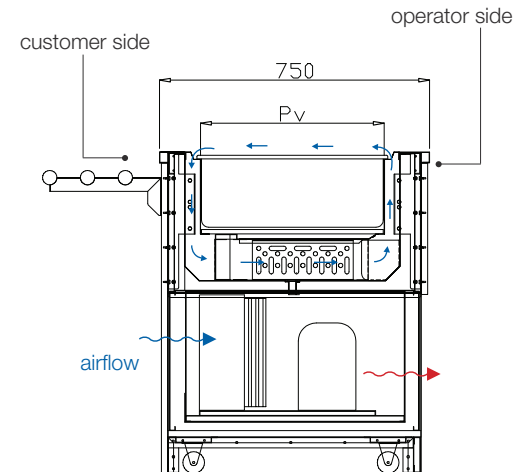


# Refrigerated and ventilated tank

- ▶ Stainless steel top H 30 mm in AISI 304, th. 12/10 with straight edges
- ▶ Refrigerated laminar airflow
- ▶ Stainless steel height-adjustable blind bottoms (useful height 30-150 mm)
- ▶ Evaporator with anti-corrosion coating, which can be lifted to easily clean the well
- ▶ Insulation by high density expanded polyurethane without C.F.C. and H.C.F.C.
- ▶ With condensing unit or pre-set for remote refrigeration
- ▶ Automatic condensed water evaporation
- ▶ Digital control system for temperature adjustment and defrosting
- ▶ Counter in laminated wood, on wheels



operator side view



SELF SUPREME

	2 GN1/1	3 GN1/1	4 GN1/1	5 GN1/1
External dimensions [mm] <b>LxPxH</b>	845x750x900	1170x750x900	1500x750x900	1825x750x900
Well dimensions [mm] <b>LvxPvxHv</b>	650x510x30/150	980x510x30/150	1310x510x30/150	1630x510x30/150
Capacity GN 1/1 containers	2 GN1/1	3 GN1/1	4 GN1/1	5 GN1/1
Well temperature [°C]	-1/+5*	-1/+5*	-1/+5*	-1/+5*
Refrigerant gas	R452A	R452A	R452A	R452A
Cooling power at -10°C [W]	750	980	1150	1650
Total power [Kw]	0,7	0,9	1	1,2
Supply voltage (50Hz)	230V 1+N	230V 1+N	230V 1+N 50Hz	230V 1+N 50Hz