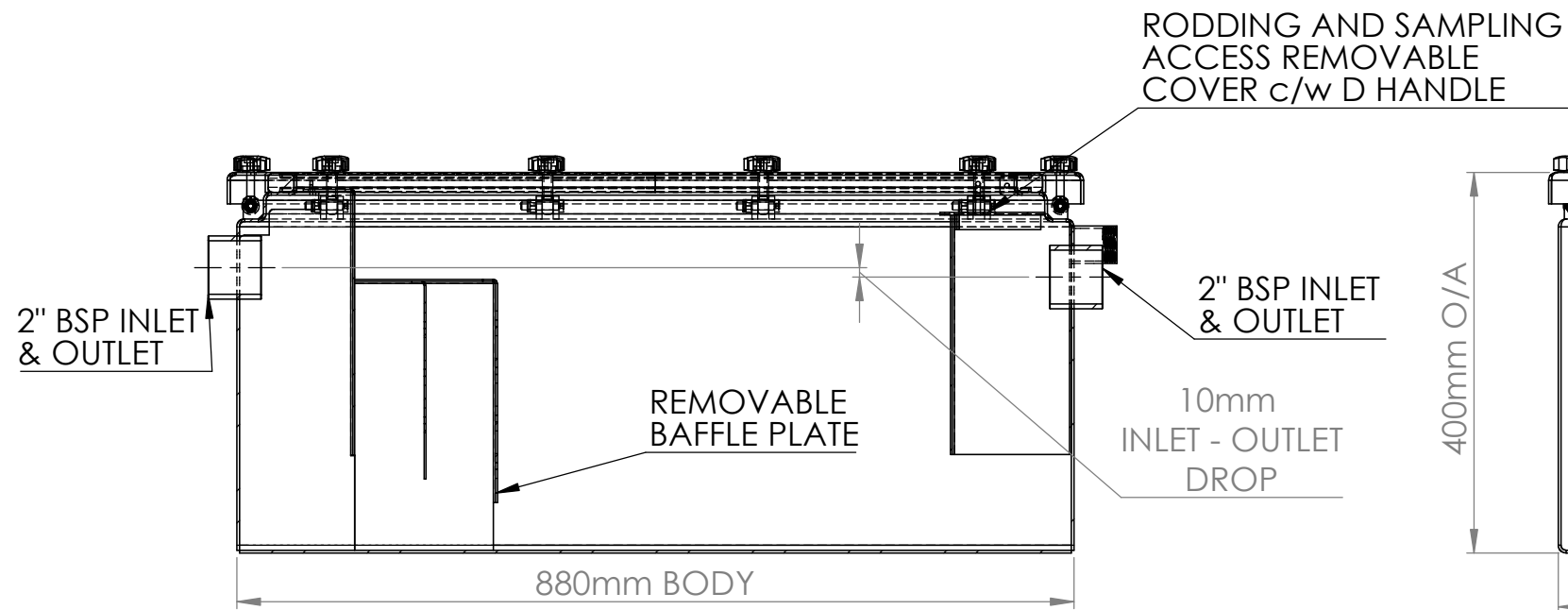
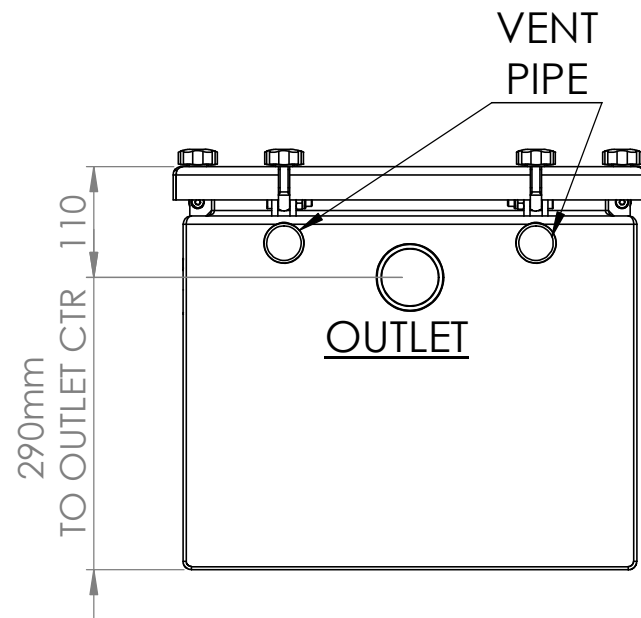
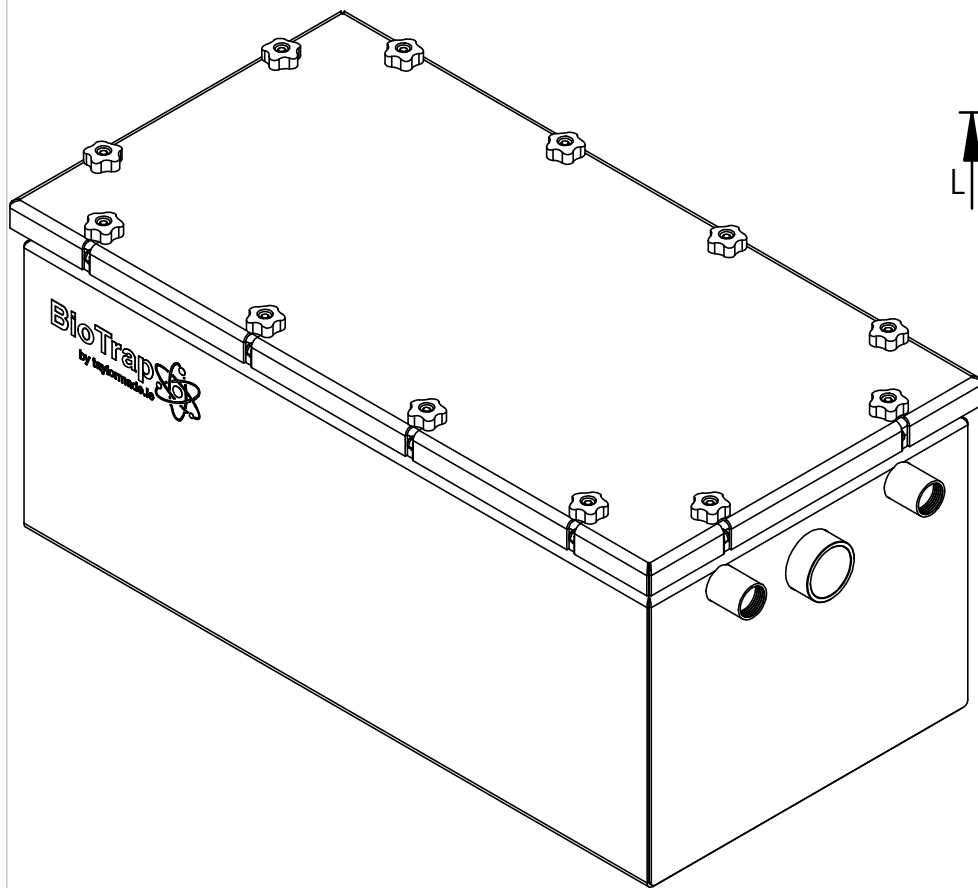
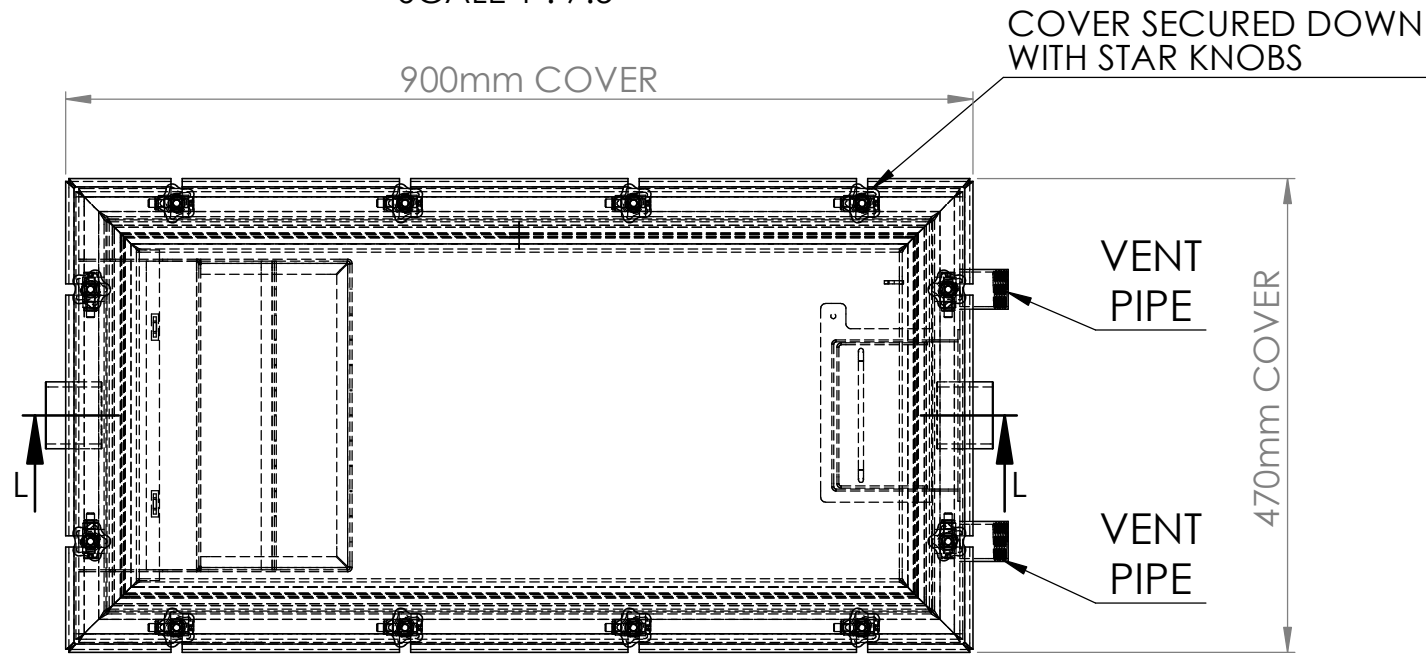


BIOTRAP-US-880



SECTION L-L
SCALE 1 : 7.5



OVERALL LENGTH	880mm
OVERALL WIDTH	450mm
HEIGHT	400mm
OUTLET	2" BSP
INLET	2" BSP
FILLED VOLUME	100 LITRES
WEIGHT EMPTY	63 KG
FILLED WEIGHT	163 KG

UNLESS OTHERWISE SPECIFIED:
DIMENSIONS ARE IN MILLIMETERS

TOLERANCES:
LINEAR
0 - 10..... = ±0.25mm
10 - 200..... = ±0.50mm
200 - 1000..... = ±1.00mm
1000 - Upwards = ±2.00mm
ANGULAR..... = ±0.50°

DEBUR AND BREAK ALL SHARP EDGES

ALL DIMENSIONS TO OUTSIDE EDGES
UNLESS STATED OTHERWISE

First Angle Projection



PROJECT:

TAYLORMADE GREASETRAP RANGE

TITLE:

BIOTRAP-US-880

SAP	NAME	DATE	FINISH:
			SATIN
DRAWN	ffrench	12 Jul 2021	MATERIAL:
APPVD			304SS
PROJECT NUMBER	PROJECT_02332	REVISION	SIZE / THICKNESS:
SALES ORDER			N/A
			WEIGHT: 72.19 kg

DWG NO.

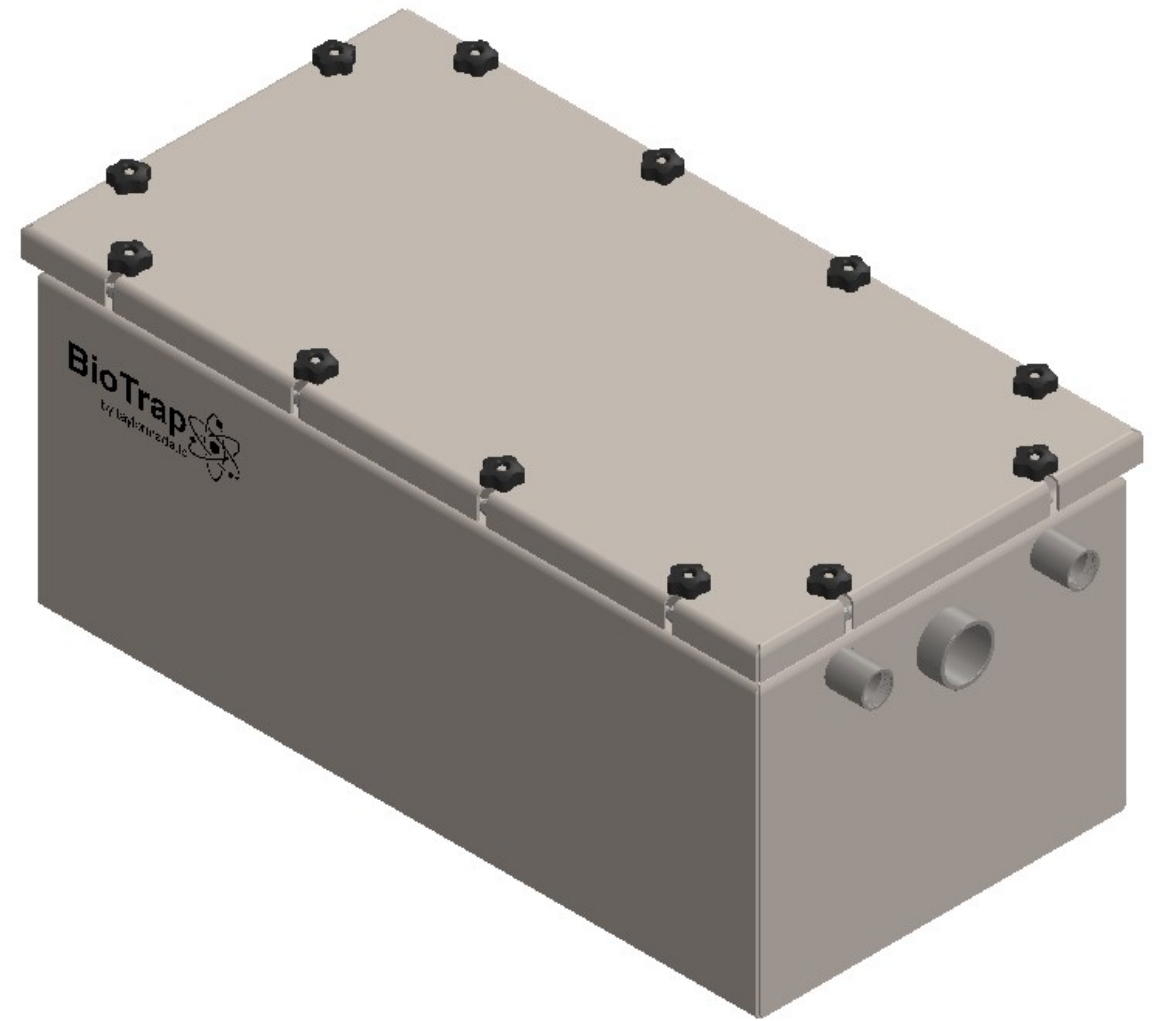
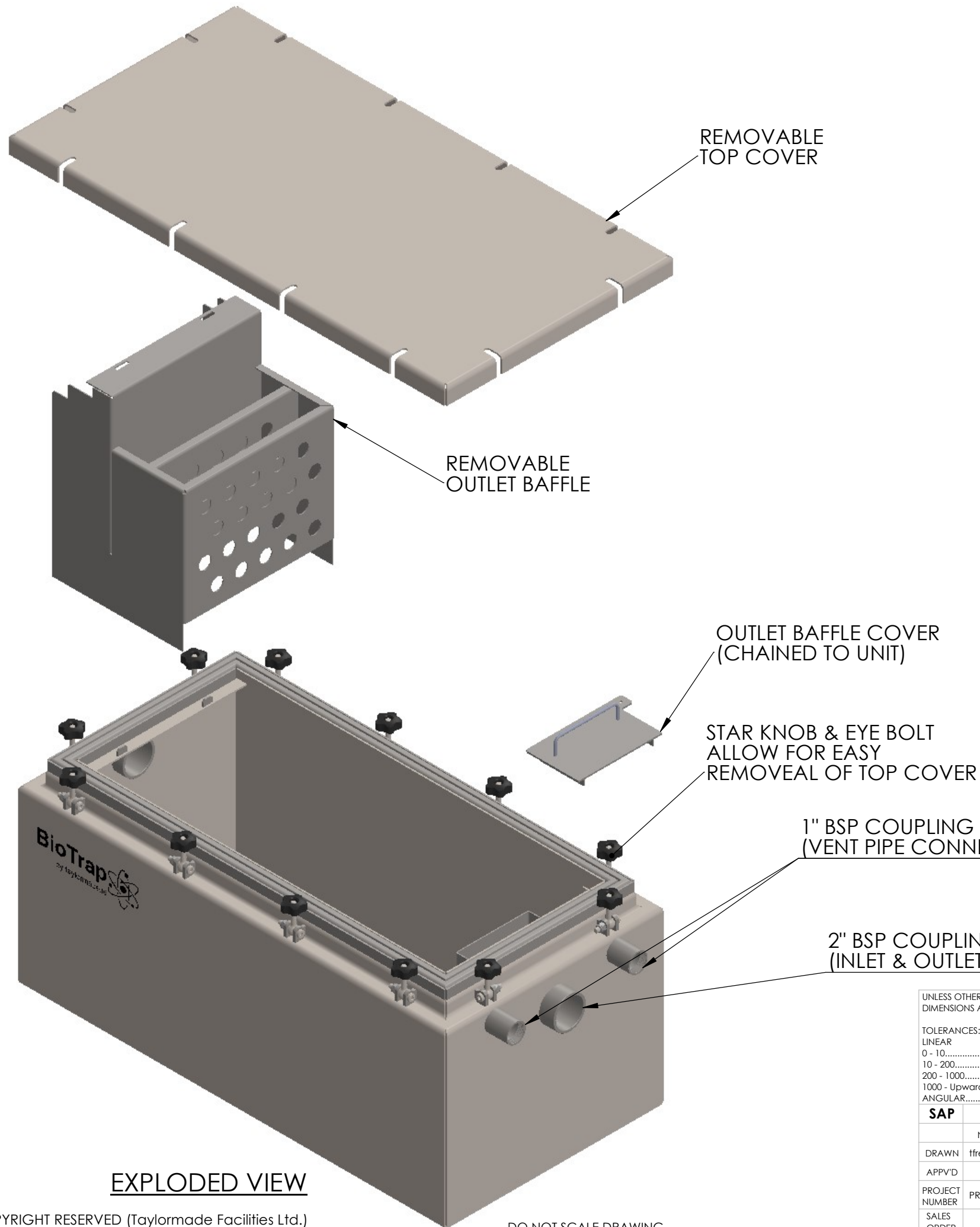
KS175483

taylormade.ie
GREASETRAP SOLUTIONS

A3

SCALE:1:10

BIOTRAP-US-880

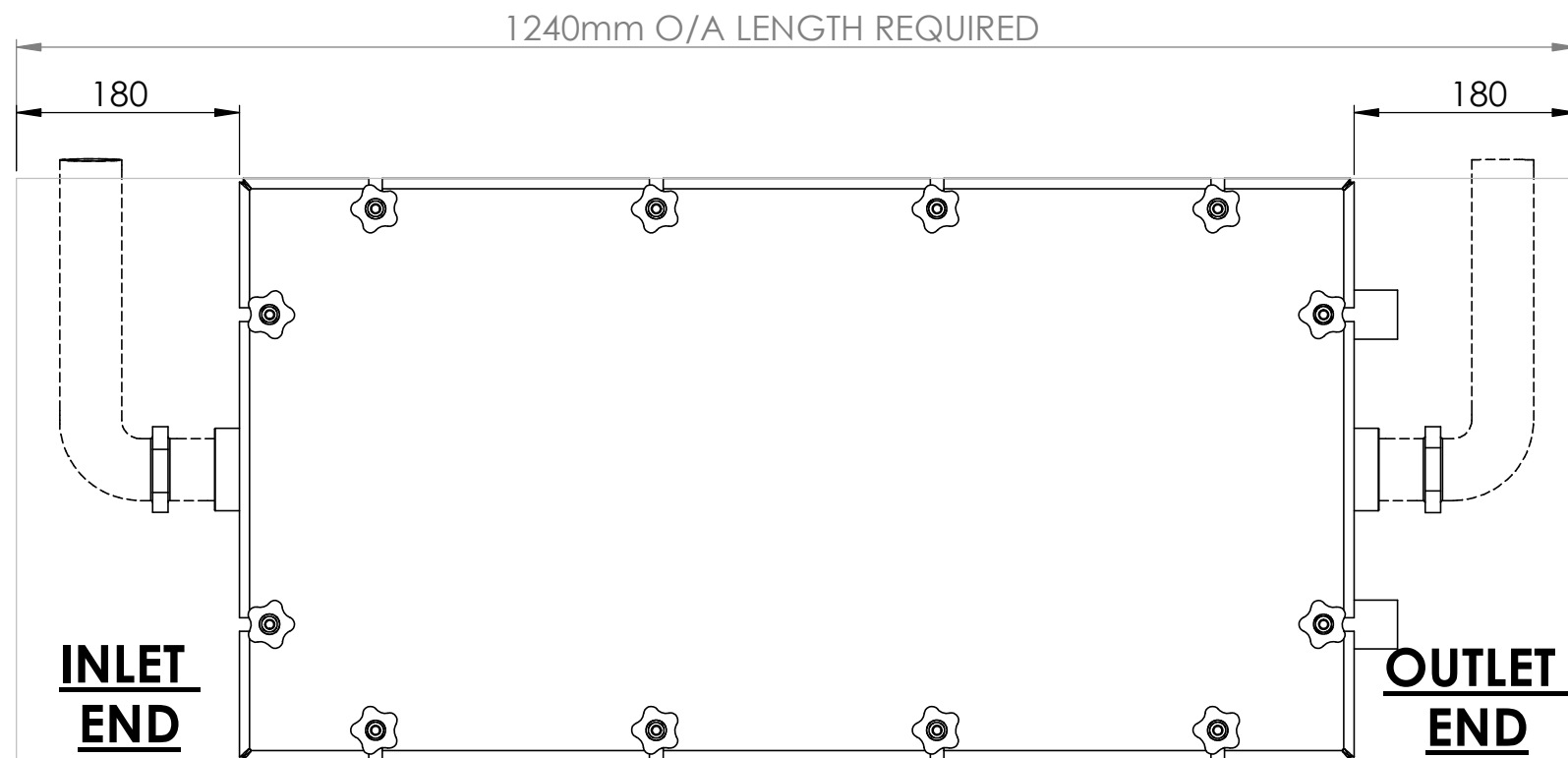


ISOMETRIC VIEW

EXPLODED VIEW

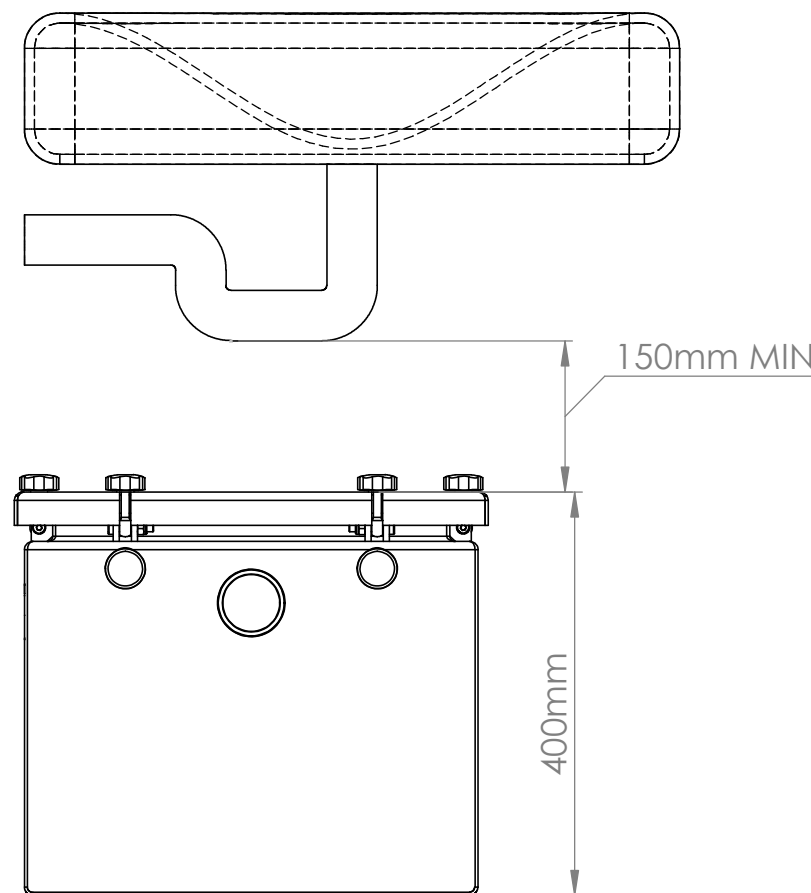
UNLESS OTHERWISE SPECIFIED: DIMENSIONS ARE IN MILLIMETERS		DEBUR AND BREAK ALL SHARP EDGES		PROJECT: TAYLORMADE GREASETRAP RANGE	
TOLERANCES: LINEAR 0 - 10..... = ±0.25mm 10 - 200..... = ±0.50mm 200 - 1000..... = ±1.00mm 1000 - Upwards = ±2.00mm ANGULAR..... = ±0.50°		ALL DIMENSIONS TO OUTSIDE EDGES UNLESS STATED OTHERWISE		TITLE: BIOTRAP-US-880	
First Angle Projection				DWG NO. KS175483	
SAP		FINISH: SATIN		 taylormade.ie GREASETRAP SOLUTIONS	
NAME		DATE			
DRAWN f french		12 Jul 2021		A3	
APPVD				SCALE:1:10	
PROJECT NUMBER PROJECT_02332		REVISION		WEIGHT: 72.19 kg	
SALES ORDER					

REQUIRED FOOTPRINT FOR THIS MODEL



180mm REQUIRED AT BOTH ENDS OF GREASETRAP FOR PIPEWORK AS SHOWN

REQUIRED HEADROOM FOR THIS MODEL



150mm REQUIRED AT TOP OF GREASETRAP TO ALLOW FOR LID REMOVAL & CLEANING AS SHOWN

UNLESS OTHERWISE SPECIFIED: DIMENSIONS ARE IN MILLIMETERS		DEBUR AND BREAK ALL SHARP EDGES		PROJECT: TAYLORMADE GREASETRAP RANGE	
TOLERANCES: LINEAR 0 - 10..... = ±0.25mm 10 - 200..... = ±0.50mm 200 - 1000..... = ±1.00mm 1000 - Upwards = ±2.00mm ANGULAR..... = ±0.50°		ALL DIMENSIONS TO OUTSIDE EDGES UNLESS STATED OTHERWISE		TITLE: BIOTRAP-US-880	
		First Angle Projection			
SAP	NAME	DATE	FINISH: SATIN	DWG NO. KS175483	
DRAWN	ffrench	12 Jul 2021	MATERIAL: 304SS	 GREASETRAP SOLUTIONS	
APPVD			SIZE / THICKNESS: N/A		
PROJECT NUMBER	PROJECT_02332	REVISION	WEIGHT: 72.19 kg	SCALE: 1:10	
SALES ORDER					