



UCFR280

Dimensions (mm)	External	Internal
Height	926	
Width	1200	
Depth	607	
Capacity (ltr)		
Gross		115L+145L
Net		

UCRR280

Dimensions (mm)	External	Internal
Height	926	
Width	1200	
Depth	607	
Capacity (ltr)		
Gross		145L+145L
Net		



UCFF280

Dimensions (mm)	External	Internal
Height	926	
Width	1200	
Depth	607	
Capacity (ltr)		
Gross		115L+115L
Net		

Features

High grade 304 stainless steel exterior

ABS Interior

Stainless steel worktop with 50mm upstand

Lock fitted as standard to both units

UCR140 - Adjustable shelves

Replaceable door gaskets

Castors fitted as standard

Additional Extras

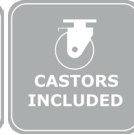
M4-UCR038 - Gasket for UCR/UCF

M4-UCR045 - Lower shelf for UCR

M4-UCR046 - Upper shelf for UCR

M4-UCF023 - Bottom drawer basket for UCF

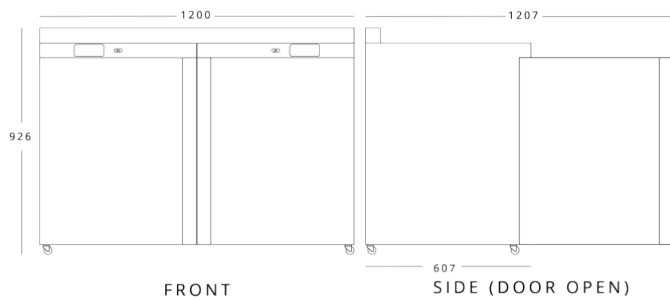
M4-UCF024 - Top drawer basket for UCF



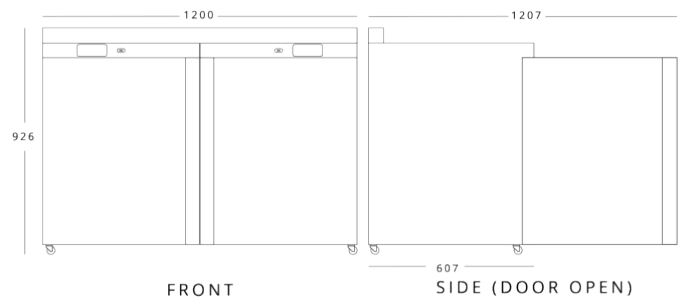
Technical Specification

	UCFR280	UCRR280	UCFF280
Temperature Range	-16°C ~ -24°C +2°C ~ +8°C	+2°C ~ +8°C	-16°C ~ -24°C
Climate Class	4	4	4
Power Supply	13amp x2	13amp x2	13amp x2
Cooling	F - Static R - Fan assisted	Fan assisted	Static
Defrost	F - Manual R - Automatic	Automatic	Manual
Noise Level	53db	53db	53db
Refrigerant	R600a	R600a	R600a
Energy Consumption (kw/24hrs)			
Power Usage (w)	135+135	135+135	135+135

UCFR280



UCRR280



UCFF280

