

FS-RMT3/4/5

REFRIGERATED MULTI-TIER DISPLAY

Flexi-Serve mobile refrigerated multi-tier display. Designed to run on one 13amp plug to minimise power consumption whilst keeping food at the optimal serving temperature.

Available in 3 size options, the unit uses blown air refrigeration to keep food perfectly chilled between 2 and 5 degrees.

Use as a single servery or combine with other Flexi-Serve modules to create your perfect counter layout.



FLEXI SERVE

MADE IN BRITAIN

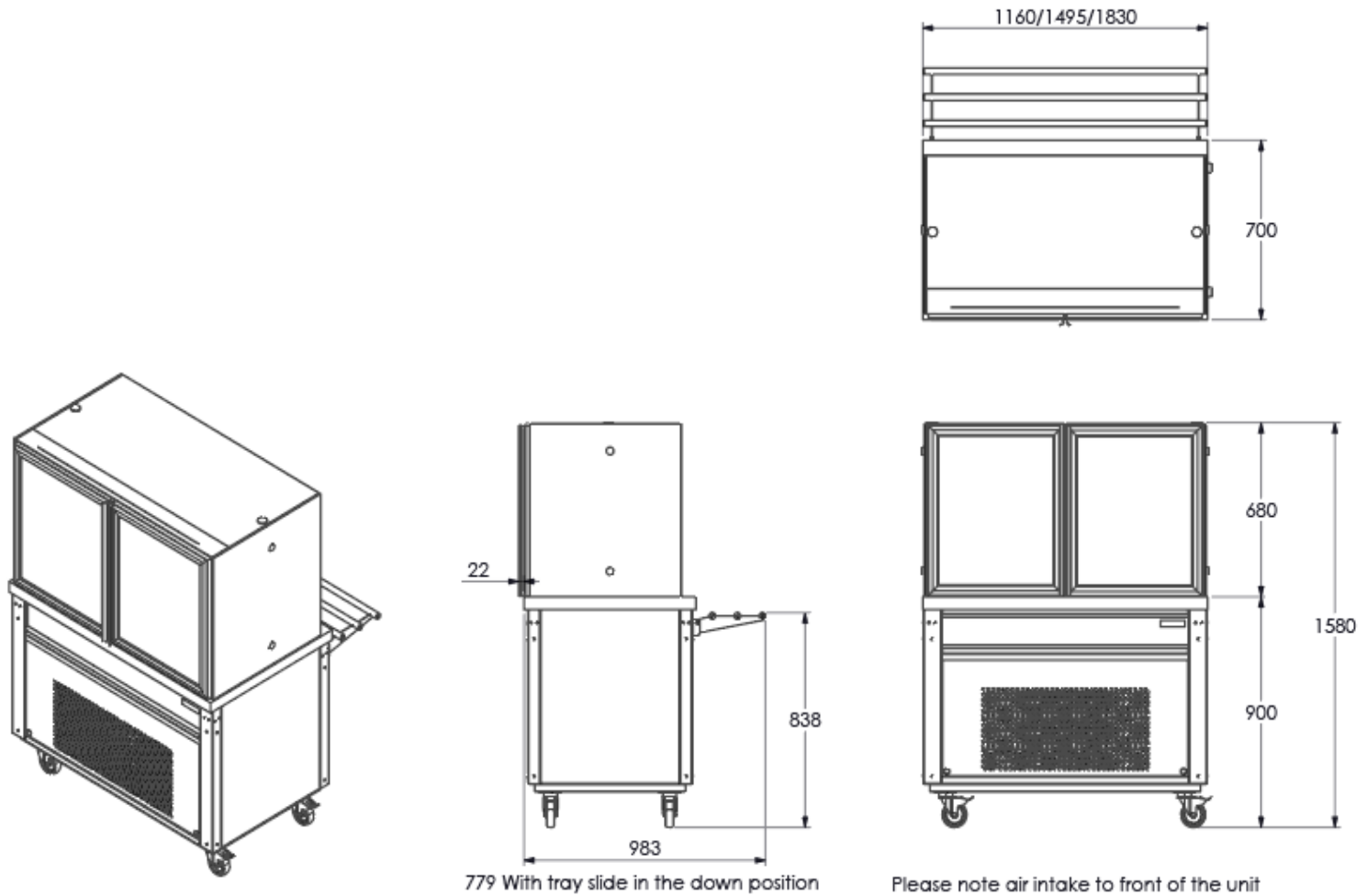
Model Specification	FS-RMT3	FS-RMT4	FS-RMT5
Dimensions (w x d x h) mm	1160x700x1440	1495x700x1440	1830x700x1440
Temperature Range (°C)	2 - 5	2 - 5	2 - 5
Total Power kW (Unit and gantry))	2.6	3.0	3.4
Plug Type	13 Amp	13 Amp	13 Amp
Weight Packed (kg)	194	224	274
Weight Unpacked (kg)	209	239	289
Refrigerant (R452a)	1200g	1200g	1650g
Internal Well Dimensions	975x490x170	1200x490x170	1525x490x170
Dimensions incl. Gantry & Trayslide	1160x983x1440	1495x983x1440	1830x983x1440

FEATURES

- 3 height adjustable refrigerated shelves
- Blown air refrigerated well keeps food chilled between 1 and 5 degrees
- Automatic condensate evaporation
- LED gantry included
- Narrow 700mm width fits easily through doorways
- Night blind required to ensure a continuous 24 hour operation
- 4 heavy duty 100mm locking castors
- Hinged rear doors for easy replenishment
- 10mm deep bonded glass to gantry

REFRIGERATED MULTI-TIER DISPLAY

FS-RMT LINE DRAWING



AVAILABLE ACCESSORIES

- Island glass or Assisted glass at an additional cost