

Hot Cupboard Plain Top



FS-H2/3/4/5

Hot Cupboard with Plain Top

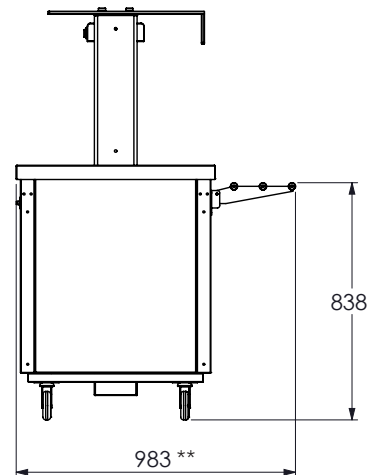
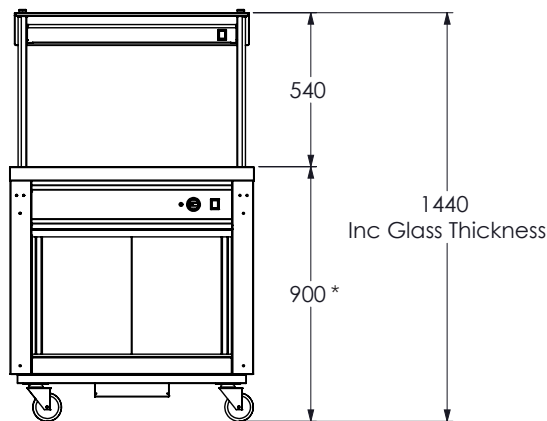
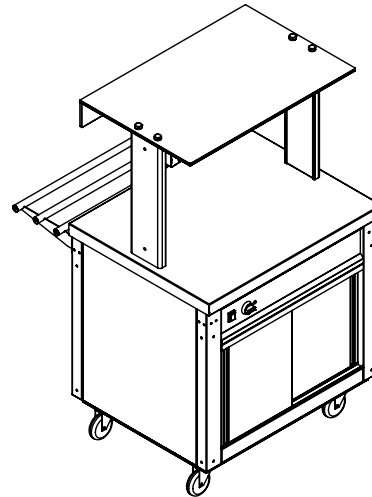
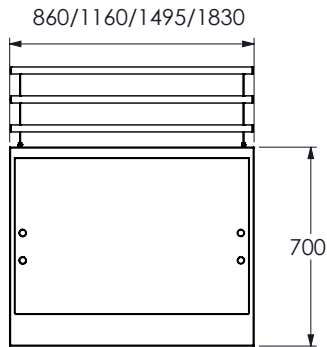
- Top can accommodate 1/1 GN pans
- Fan assisted hot cupboard with sliding doors
- Removable cupboard shelves with adjustable positions
- Narrow width fits easily through doorways
- 4 locking castors
- Manufactured from stainless steel
- 13 amp 3 pin plug for all sizes
- LED gantry available as an accessory

| Model Specification | FS-H2 | FS-H3 | FS-H4 | FS-H5 |
|---|--------------|---------------|---------------|---------------|
| Dimensions (no accessories) mm (wxdxh) | 860x700x900 | 1160x700x900 | 1495x700x900 | 1830x700x900 |
| Dimensions (trayslide down) mm (wxdxh) | 860x760x900 | 1160x760x900 | 1495x760x900 | 1830x760x900 |
| Dimensions (trayslide up & gantry) mm (wxdxh) | 860x983x1440 | 1160x983x1440 | 1495x983x1440 | 1830x983x1440 |
| Total Power kW (including Gantry) | 1.7 | 1.9 | 1.9 | 2.1 |
| Temperature Range (°C) | 30 - 90 | 30 - 90 | 30 - 90 | 30 - 90 |
| Weight Unpacked (kg) (inc accessories) | 86 | 108 | 128.5 | 169.5 |

FS-H2 shown with optional gantry and tray rail

Call Sales now on: **01332 875544** or visit www.parry.co.uk

Hot Cupboard Plain Top



*800mm high units also available, overall height and tray slide height reduce by 100mm accordingly

** Unit depth is 757mm with the tray slide down
All dimensions in mm

Accessories



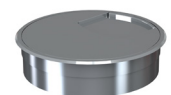
FS-JP Joining Plates

- Allows you to build the perfect configuration



FS-FT Feet

- 4 height adjustable feet



FS-CP Cable Port

- Keep your surfaces cable free



FS-KP Kick Plates

- Allows you to build the perfect configuration



FS-SO Socket

- 2 gang, 3kW switched socket, 2m cable with plug



FS-BESPOKE Bespoke Units

- Bespoke ambient units available on request