

FS-CU/CUB

CONDIMENTS TROLLEY

The Flexi-Serve condiments trolley units have been designed to compliment the range. The units hold 7 x 1/9 gastronorms at 100mm deep, with the stand hold holding trays up to 350mm x 500mm. Both units feature 4 locking castors.



FLEXI / SERVE

MADE IN BRITAIN

Model Specification	FS-CU	FS-CUB
Dimensions (w x d x h) mm	860x700x900	1160x700x900
Weight Packed (kg)	80	80
Weight Unpacked (kg)	65	65
Dimensions (inc backslash) mm	860x700x1080	1160x700x1080

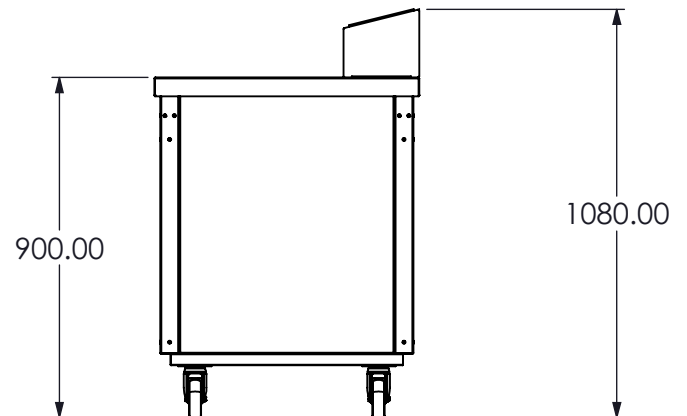
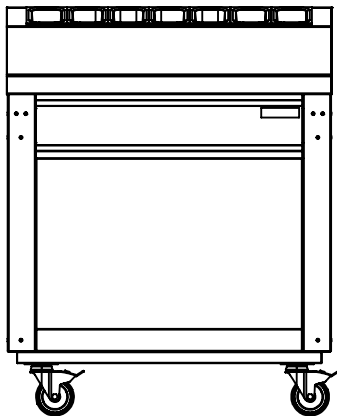
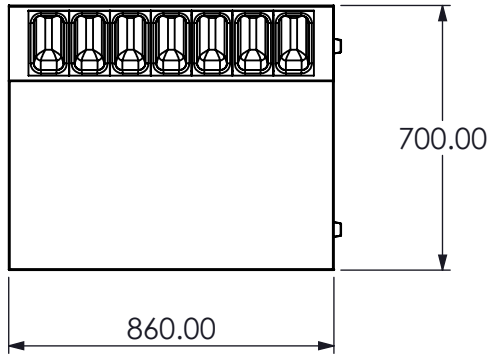
FEATURES

- Holds 7 x 1/9 gastronorms at 100mm deep
- FS-CUB includes a cupboard with a door lock
- Tray stand holds trays up to 350mm x 500mm
- Various colour fascia panels available

FS-CU

FS-CU LINE DRAWING

Dimensions in mm



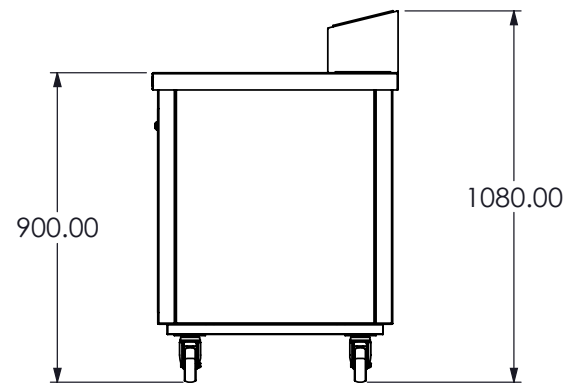
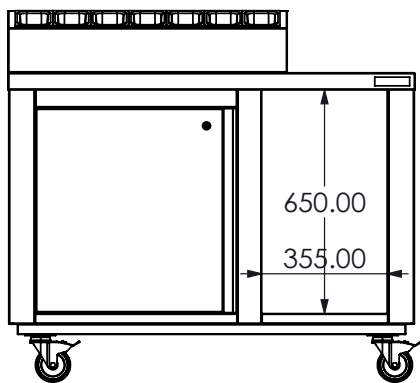
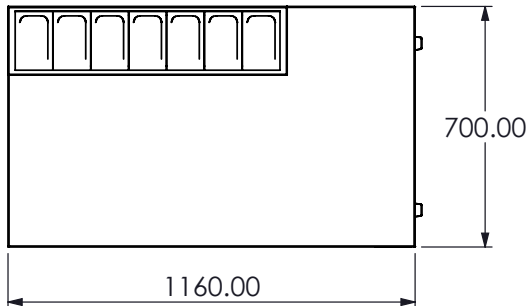
AVAILABLE ACCESSORIES

- Island glass or Assisted glass at an additional cost

FS-CUB

FS-CUB LINE DRAWING

Dimensions in mm



AVAILABLE ACCESSORIES

- Island glass or Assisted glass at an additional cost