

Ambient Open Unit



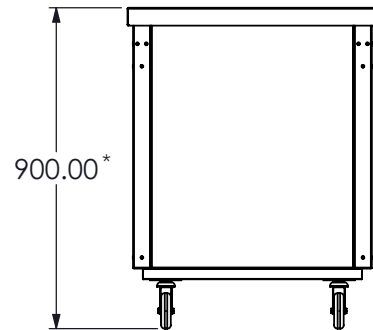
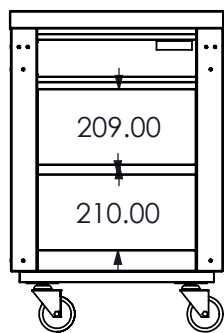
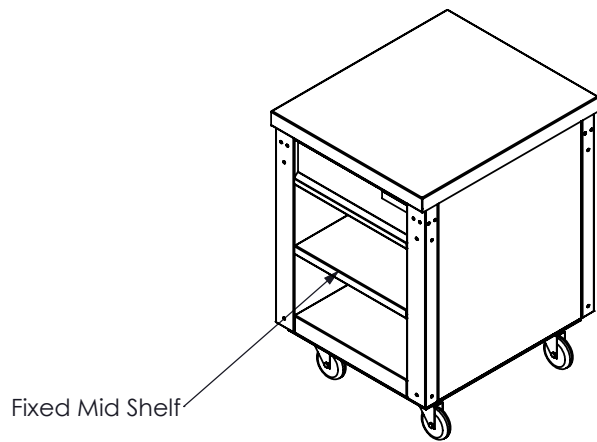
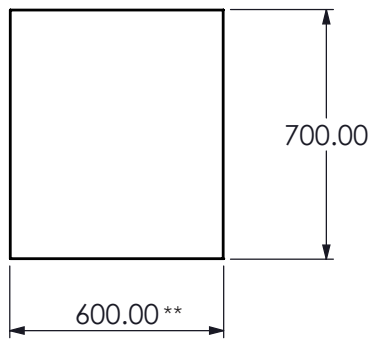
FS-AO

Ambient Open Unit

- Allows you to build the perfect configuration
- 4 locking castors
- Manufactured from stainless steel

Model Specification	FS-AO
Dimensions (no accessories) mm (wxdxh)	600x700x900
Dimensions (trayslide down) mm (wxdxh)	N/A
Dimensions (trayslide up) mm (wxdxh)	N/A
Total Power kW	N/A
Temperature Range (°C)	N/A
Weight Unpacked (kg)	40

Ambient Open Unit



*800mm high units also available, overall height and tray slide height reduce by 100mm accordingly

** Unit depth is 757mm with the tray slide down
All dimensions in mm

Accessories



FS-JP Joining Plates

- Allows you to build the perfect configuration



FS-KP Kick Plates

- Allows you to build the perfect configuration



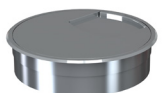
FS-FT Feet

- 4 height adjustable feet



FS-SO Socket

- 2 gang, 3kW switched socket, 2m cable with plug



FS-CP Cable Port

- Keep your surfaces cable free



FS-BESPOKE Bespoke Units

- Bespoke ambient units available on request