



DOMINA PRO 700 - GLASS CERAMIC TOP

VC74A

2 PLATES ON OPEN CUPBOARD



TECHNICAL DATA:

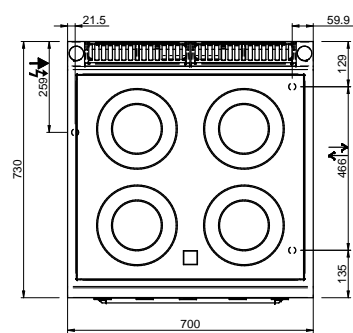
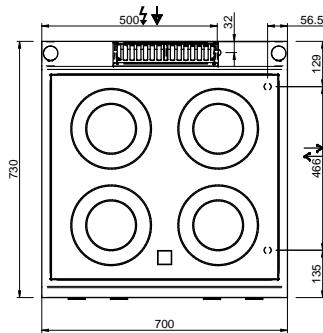
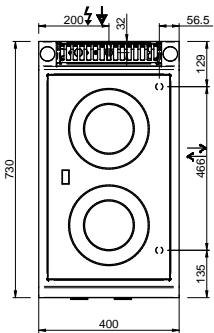
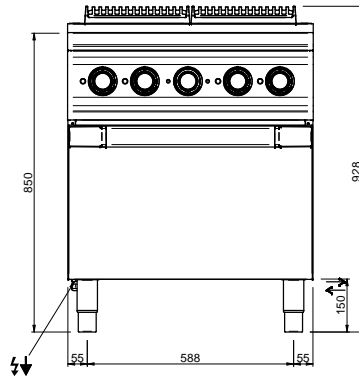
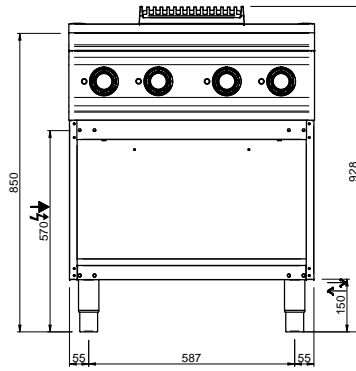
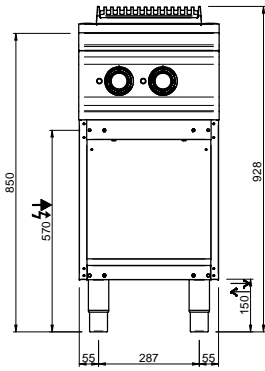
External dimensions - WxDxH (cm)	40x73x85
Nr. Plates 2,5 kW	1
IPX5	●

ADDITIONAL TECHNICAL DATA:

Total power (kW)	4,3
Supply (N)	400V 3N 50/60Hz
Weight (kg)	53
Volume (m3)	0,4

The sealed 6mm ceramic top offers high cleaning comfort thanks to the flat surface and cleanability of glass ceramic. It is watertight fixed to the worktop, preventing any liquid infiltration. The heat is produced by means of electric elements underneath and transmitted by diffusion.

Independent temperature regulation for each cooking area, with 3 different power levels. Indicator lights show when each hotplate is active.



LEGENDA SIMBOLI / LEGEND



INGRESSO GAS / GAS INLET
(EN 10226-1) Ø M 1/2"



INGRESSO ACQUA /
WATER INLET Ø M 1/2"



ATTACCO EQUIPOTENZIALE /
EQUIPOTENTIAL



ALIMENTAZIONE ELETTRICA /
POWER SUPPLY



SCARICO ACQUA / OLII
WATER / OILS DRAIN



REGOLAZIONE PIEDINI /
FEET ADJUSTMENT (h 0/+50)
/ TOP VERSION (h 0/+5)