



DOMINA PRO 900 - PASTA COOKERS

CPE94A



1 BOWL, ELECTRIC ON CLOSED STAND

TECHNICAL DATA:

| | |
|----------------------------------|----------|
| External dimensions - WxDxH (cm) | 40x90x85 |
| Tank capacity (lt-GN) | 40 |
| Total power (kW) | 9 |
| IPX5 | ● |

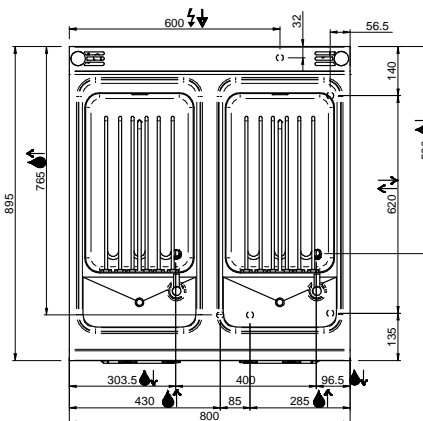
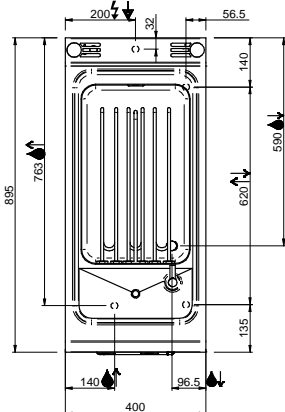
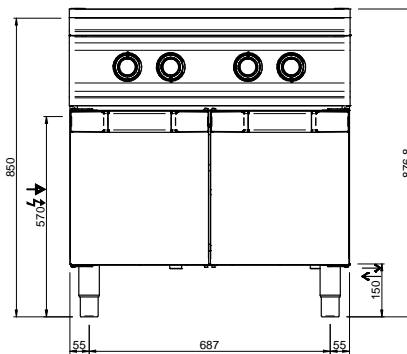
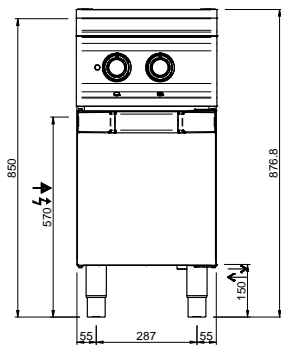
ADDITIONAL TECHNICAL DATA:

| | |
|------------------------------|-----------------|
| Tank dimensions - WxDxH (cm) | 30,5x51x27,5 |
| Electric elements (kW) | 9 |
| Supply (N) | 400V 3N 50/60Hz |
| Weight (kg) | 51 |
| Volume (m3) | 0,5 |

The moulded tanks are in AISI 316 anti-corrosion stainless steel, with rounded corners for easy cleaning. The optional pasta baskets are in AISI 304 18/10 stainless steel with thermal handle. Electric valve to load the water.

Gas versions: stainless steel burner with self-stabilizing flame. Thermocouple safety device connected to the pilot flame. Piezo-electric burner ignition.

Electric versions: electric heating elements in armoured stainless steel; power adjustment with four position switch; control of the temperature with operating and safety thermostat.



LEGENDA SIMBOLI / LEGEND



INGRESSO GAS / GAS INLET
(EN 10226-1) Ø M 1/2"



INGRESSO ACQUA /
WATER INLET Ø M 1/2"



ATTACCO EQUIPOTENZIALE /
EQUIPOTENTIAL



ALIMENTAZIONE ELETTRICA /
POWER SUPPLY



SCARICO ACQUA / OLII
WATER / OILS DRAIN



REGOLAZIONE PIEDINI /
FEET ADJUSTMENT (h 0/+50)
/ TOP VERSION (h 0/+5)