



DOMINA PRO 900 - BAIN MARIE

BME98T



1 BOWL GN 8/3, ELECTRIC TOP

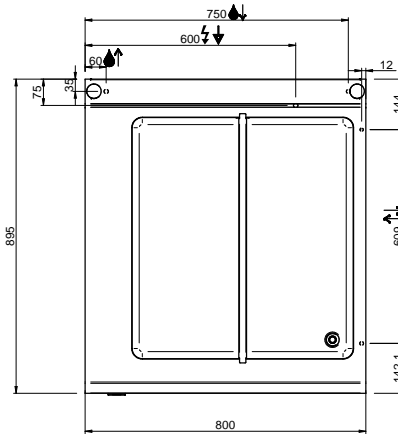
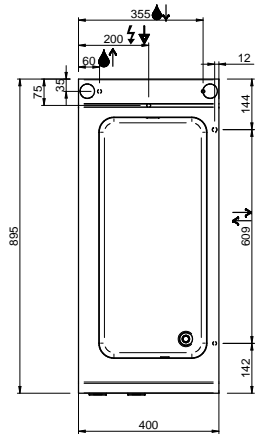
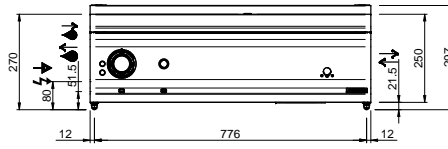
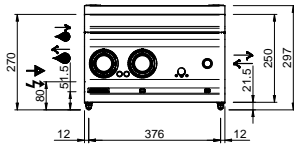
TECHNICAL DATA:

External dimensions - WxDxH (cm)	80x90x25
Tank capacity (lt-GN)	gn 8/3
Total power (kW)	6
IPX5	●

ADDITIONAL TECHNICAL DATA:

Tank dimensions - WxDxH (cm)	63x69x16
Electric elements (kW)	6
Supply (N)	400V 3N 50/60Hz
Weight (kg)	50
Volume (m3)	0,4

The AISI 304 stainless steel tank is moulded and continuous-welded. Electric heating with armoured stainless steel elements, set on the external bottom of the tanks and controlled by a thermostat.



LEGENDA SIMBOLI / LEGEND



INGRESSO GAS / GAS INLET
(EN 10226-1) Ø M 1/2"



ALIMENTAZIONE ELETTRICA /
POWER SUPPLY



INGRESSO ACQUA /
WATER INLET Ø M 1/2"



SCARICO ACQUA / OLII
WATER / OILS DRAIN



ATTACCO EQUIPOTENZIALE /
EQUIPOTENTIAL



REGOLAZIONE PIEDINI /
FEET ADJUSTMENT (h 0/+50)
/ TOP VERSION (h 0/+5)