



DOMINA PRO 900 - BAIN MARIE

BME94T



1 BOWL GN 4/3, ELECTRIC TOP

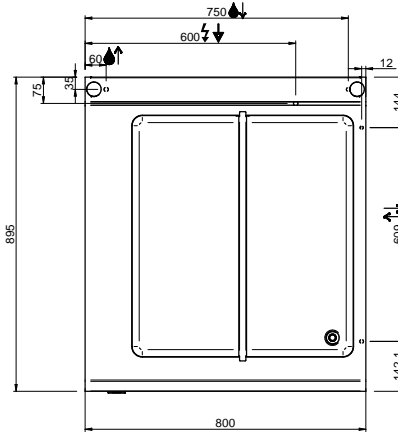
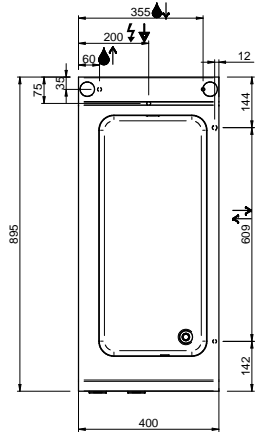
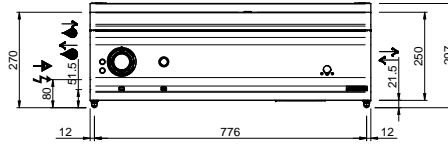
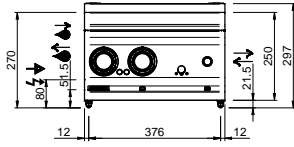
TECHNICAL DATA:

External dimensions - WxDxH (cm)	40x90x25
Tank capacity (lt-GN)	GN 4/3
Total power (kW)	2,5
IPX5	●

ADDITIONAL TECHNICAL DATA:

Tank dimensions - WxDxH (cm)	31x69x16
Electric elements (kW)	2,5
Supply (N)	230V 1N 50Hz
Weight (kg)	36
Volume (m3)	0,25

The AISI 304 stainless steel tank is moulded and continuous-welded. Electric heating with armoured stainless steel elements, set on the external bottom of the tanks and controlled by a thermostat.



LEGENDA SIMBOLI / LEGEND



INGRESSO GAS / GAS INLET
(EN 10226-1) Ø M 1/2"



ALIMENTAZIONE ELETTRICA /
POWER SUPPLY



INGRESSO ACQUA /
WATER INLET Ø M 1/2"



SCARICO ACQUA / OLII
WATER / OILS DRAIN



ATTACCO EQUIPOTENZIALE /
EQUIPOTENTIAL



REGOLAZIONE PIEDINI /
FEET ADJUSTMENT (h 0/+50)
/ TOP VERSION (h 0/+5)