



DOMINA PRO 700 - BAIN MARIE

## BME78T



### 1 BOWL GN 2/1, ELECTRIC TOP

#### TECHNICAL DATA:

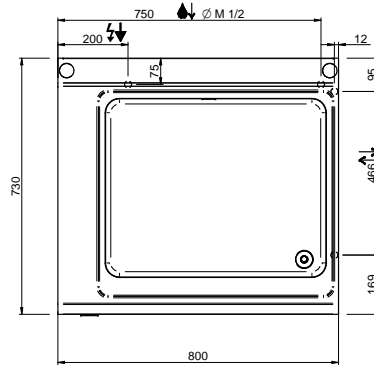
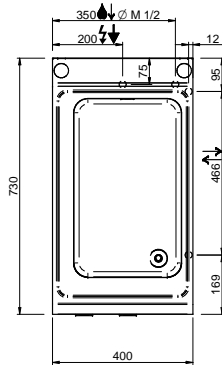
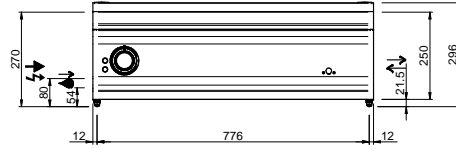
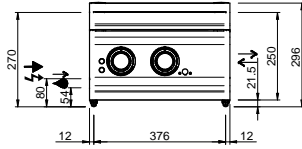
External dimensions - WxDxH (cm)	80x73x25
Tank capacity (lt-GN)	gn 2/1
Total power (kW)	3
IPX5	●

#### ADDITIONAL TECHNICAL DATA:

Tank dimensions - WxDxH (cm)	63x51x16
Supply (N)	230V 1N 50/60Hz
Weight (kg)	30
Volume (m3)	0,3

The AISI 304 stainless steel tank is moulded and continuous-welded.

Electric heating with armoured stainless steel elements, set on the external bottom of the tanks and controlled by a thermostat.



LEGENDA SIMBOLI / LEGEND



INGRESSO GAS / GAS INLET  
(EN 10226-1) Ø M 1/2"



ALIMENTAZIONE ELETTRICA /  
POWER SUPPLY



INGRESSO ACQUA /  
WATER INLET Ø M 1/2"



SCARICO ACQUA / OLII  
WATER / OILS DRAIN



ATTACCO EQUIPOTENZIALE /  
EQUIPOTENTIAL



REGOLAZIONE PIEDINI /  
FEET ADJUSTMENT (h 0/+50)  
/ TOP VERSION (h 0/+5)