



DOMINA PRO 700 - BAIN MARIE

BME74T



1 BOWL GN 1/1, ELECTRIC TOP

TECHNICAL DATA:

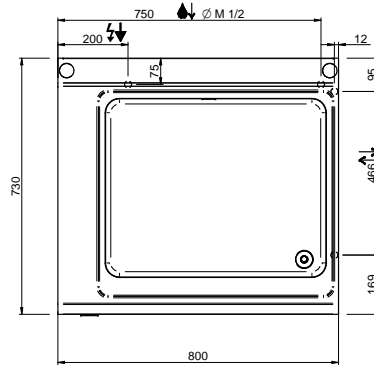
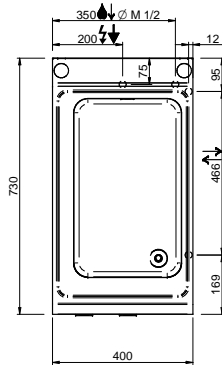
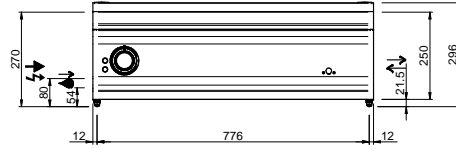
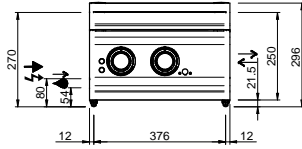
| | |
|----------------------------------|----------|
| External dimensions - WxDxH (cm) | 40x73x25 |
| Tank capacity (lt-GN) | gn 1/1 |
| Total power (kW) | 1,5 |
| IPX5 | ● |

ADDITIONAL TECHNICAL DATA:

| | |
|------------------------------|-----------------|
| Tank dimensions - WxDxH (cm) | 31x51x16 |
| Supply (N) | 230V 1N 50/60Hz |
| Weight (kg) | 20 |
| Volume (m3) | 0,2 |

The AISI 304 stainless steel tank is moulded and continuous-welded.

Electric heating with armoured stainless steel elements, set on the external bottom of the tanks and controlled by a thermostat.



LEGENDA SIMBOLI / LEGEND



INGRESSO GAS / GAS INLET
(EN 10226-1) Ø M 1/2"



ALIMENTAZIONE ELETTRICA /
POWER SUPPLY



INGRESSO ACQUA /
WATER INLET Ø M 1/2"



SCARICO ACQUA / OLII
WATER / OILS DRAIN



ATTACCO EQUIPOTENZIALE /
EQUIPOTENTIAL



REGOLAZIONE PIEDINI /
FEET ADJUSTMENT (h 0/+50)
/ TOP VERSION (h 0/+5)