



## P8P3 - Lincat Panther 800 Series Free-standing Hot Cupboard - Plain Top - W 1205 mm - 1.5 kW

Helping to cater in demanding environments such as cafeterias, canteens and restaurants, the Panther 800 Series Hot Cupboard is perfect for plating and garnishing and as a pass to front of house staff, while it also provides extra workspace or can be used as a mobile workstation.

- ✔ Helping to cater in demanding environments such as cafeterias, canteens and restaurants
- ✔ Fan assisted hot cupboard provides even heat distribution, fast heat up and recovery times, and lower energy usage. Four shelf positions allow adjustment to meet individual needs.
- ✔ Fully 1/1 GN compatible hot cupboard for operational efficiency. Units available to take 3 x 1/1 GN containers up to 150mm deep.
- ✔ Accurate digital electronic control of the hot cupboard temperature, adjustable between 20 and 99 °C, ensures compliance with food hygiene regulations
- ✔ Double skinned construction provides efficient heat retention and a cool to touch exterior - safe and energy efficient. Removable doors and shelves allow access to the fully stainless steel interior for easy cleaning
- ✔ Supplied with two heavy duty multi-section chrome plated rod shelves capable of taking the heaviest loads

### Specifications

| Summary                     |                                   | Power and Performance       |            |
|-----------------------------|-----------------------------------|-----------------------------|------------|
| <b>Brand</b>                | Lincat                            | <b>Total Power kW</b>       | 1.50       |
| <b>Range</b>                | Panther                           | <b>Temperature Range °C</b> | 20-99      |
| <b>Series</b>               | 800 Series                        | <b>IP Rating</b>            | IP24       |
| <b>Power Type</b>           | Electric                          | <b>Temperature Control</b>  | Electronic |
| <b>Unit Type</b>            | Free-standing                     |                             |            |
| <b>Available in UK Only</b> | No                                |                             |            |
| <b>UK Warranty</b>          | 2 Years Parts and Labour Warranty |                             |            |
| <b>Export Warranty</b>      | Contact your local dealer         |                             |            |
| <b>GTIN</b>                 | 5056105103554                     |                             |            |

| Key Specifications                |        | Capacity              |     |
|-----------------------------------|--------|-----------------------|-----|
| <b>Number of Shelves included</b> | 2      | <b>Plate Capacity</b> | 316 |
| <b>Number of Shelf Positions</b>  | 4      |                       |     |
| <b>Heated Base</b>                | Yes    |                       |     |
| <b>Heated Gantry</b>              | No     |                       |     |
| <b>Static or Mobile</b>           | Mobile |                       |     |

| Weights and Dimensions           |       | Supply Connections                    |       |
|----------------------------------|-------|---------------------------------------|-------|
| <b>Unit Height (External) mm</b> | 900   | <b>Requires Installation</b>          | No    |
| <b>Unit Width (External) mm</b>  | 1205  | <b>Requires Electrical Supply</b>     | Yes   |
| <b>Unit Depth (External) mm</b>  | 850   | <b>UK 3 Pin Plug</b>                  | Yes   |
| <b>Height (Internal) mm</b>      | 432   | <b>Requires Hardwiring</b>            | No    |
| <b>Width (Internal) mm</b>       | 1,020 | <b>Electrical Supply Rating Watts</b> | 1,500 |
| <b>Depth (Internal) mm</b>       | 512   | <b>Single Phase Amps</b>              | 6.5   |
| <b>Shelf Dimensions Width mm</b> | 980   | <b>Single Phase Voltage</b>           | 230   |
| <b>Shelf Dimensions Depth mm</b> | 512   |                                       |       |
| <b>Net Weight Kg</b>             | 113   |                                       |       |

**Shipping**

|                         |       |
|-------------------------|-------|
| <b>Packed Weight Kg</b> | 124.3 |
| <b>Packed Height cm</b> | 110   |
| <b>Packed Width cm</b>  | 123   |
| <b>Packed Depth cm</b>  | 90    |

**Available Options**

**Overshelf or Gantry**

|              |                               |
|--------------|-------------------------------|
| <b>PG3A</b>  | PG3A - Ambient Gantry         |
| <b>PG3H</b>  | PG3H - Heated Gantry          |
| <b>PS3A1</b> | PS3A1 - 1 Ambient Overshelf   |
| <b>PS3A2</b> | PS3A2 - 2 Ambient Overshelves |
| <b>PS3A3</b> | PS3A3 - 3 Ambient Overshelves |
| <b>PS3H1</b> | PS3H1 - 1 Heated Overshelf    |
| <b>PS3H2</b> | PS3H2 - 2 Heated Overshelves  |
| <b>PS3H3</b> | PS3H3 - 3 Heated Overshelves  |

**Door Locks**

|             |                      |
|-------------|----------------------|
| <b>PDL3</b> | PDL3 - Lockable Door |
|-------------|----------------------|

**Corner Guards**

|            |                                   |
|------------|-----------------------------------|
| <b>PCG</b> | PCG - Corner Guards [Set of Four] |
|------------|-----------------------------------|

**Trayslides**

|             |                   |
|-------------|-------------------|
| <b>PTS3</b> | PTS3 - Tray Slide |
|-------------|-------------------|

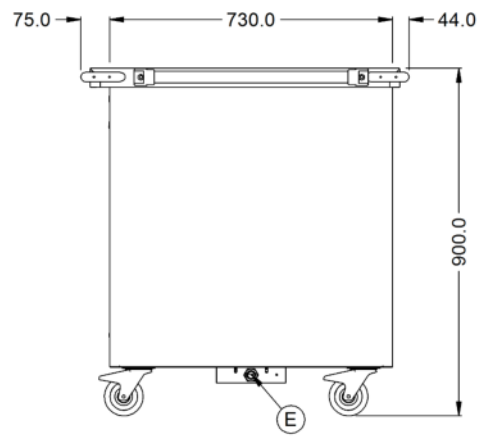
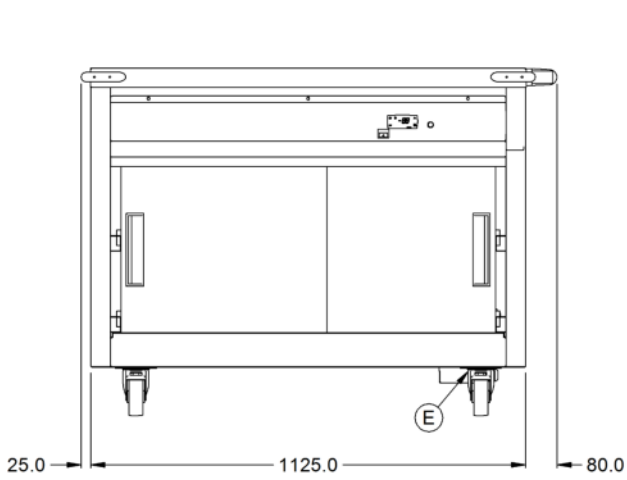
**Legs/Castors**

|            |                             |
|------------|-----------------------------|
| <b>PLK</b> | PLK - Legs [non chargeable] |
|------------|-----------------------------|

**Available Accessories**

|              |   |
|--------------|---|
| <b>PLK/S</b> | PLK/S - LEG KIT [FOR CONVERSION IN THE FIELD] |
| <b>PPB8</b>  | PPB8 - ADDITIONAL PUSHBAR                     |

**Technical Picture**



**Lincat Limited**

Whisby Road,  
Lincoln, LN6 3QZ,  
United Kingdom

**Company No:** 2175448

A member company of



**Customer Care**

**Tel:** +44 1522 875500  
**Email:** care@lincat.co.uk

**Export Customers**

**Tel:** +44 1522 875536  
**Email:** export@lincat.co.uk

**Opening Hours**

**Monday – Friday:**  
8.30am – 5pm