



OE8601 - Lincat Opus 800
Electric Counter-top Bain
Marie - Wet Heat -
Gastronorms - W 400
mm - 1.8 kW

Hold sauces and soups at the perfect temperature with the Opus 800 Electric Wet Heat Bain Marie Base Unit.

- ✓ Compatible with standard GN 1/1 containers
- ✓ Unique, easy-to-clean flush fitting plate element
- ✓ Accurate thermostatic control maintains food at a constant and safe temperature
- ✓ Boil dry protection feature prevents element from overheating and failing
- ✓ Front mounted tap for easy drainage

Specifications

Summary		Power and Performance	
Brand	Lincat	Total Power kW	1.80
Range	Opus 800	IP Rating	IP24
Power Type	Electric	Temperature Control	Mechanical
Unit Type	Counter-top		
Available in UK Only	No		
UK Warranty	2 Years Parts and Labour Warranty		
Export Warranty	Contact your local dealer		
GTIN	5056105102649		

Key Specifications		Capacity	
Drain Location	Front-mounted	Gastronorm Capacity	1 x GN1/1
Pot Type	Gastronorm		
Type of Heat	Wet		

Weights and Dimensions		Supply Connections	
Unit Height (External) mm	300	Requires Installation	No
Unit Width (External) mm	400	Requires Electrical Supply	Yes
Unit Depth (External) mm	800	UK 3 Pin Plug	Yes
Net Weight Kg	17	Requires Hardwiring	No
		Electrical Supply Rating Watts	1,800
		Single Phase Amps	7.8
		Single Phase Voltage	230

Shipping	
Packed Weight Kg	18.7
Packed Height cm	42
Packed Width cm	85
Packed Depth cm	45

Available Accessories

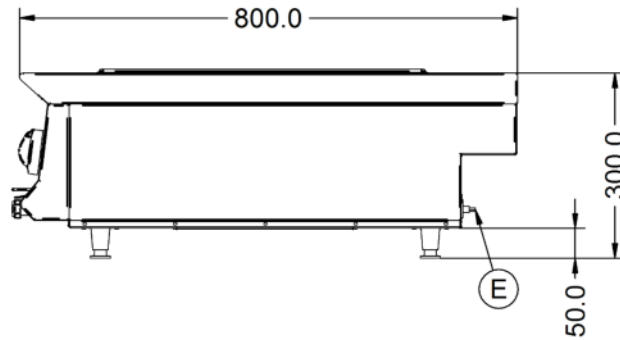
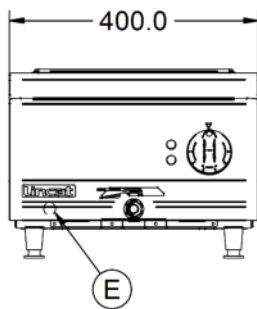
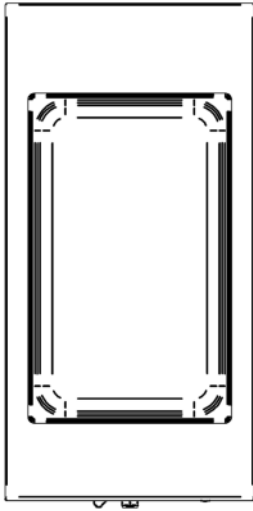
LK11	OPUS 800 LONG LEG KIT
OA8921	Lincat Opus 800 Free-standing Floor Stand with Legs - for units W 400 mm
OA8926	GASTRONORM & LID
OA8927	GASTRONORM & LID
OA8928	GASTRONORM & LID

Available Accessories

OA8971

Lincat Opus 800 Free-standing Pedestal with Doors and Legs - for units W 400 mm

Technical Picture





Lincat Limited

Whisby Road,
Lincoln, LN6 3QZ,
United Kingdom

Company No: 2175448

A member company of



Customer Care

Tel: +44 1522 875500
Email: care@lincat.co.uk

Export Customers

Tel: +44 1522 875536
Email: export@lincat.co.uk

Opening Hours

Monday – Friday:
8.30am – 5pm