



## LRB2W - Lincat Lynx 400 Electric Counter-top Bain Marie - Wet Heat - inc. 2 x Round Pots - W 565 mm - 0.5 kW

Keep your sauces, soups and gravy at the ideal serving temperature with the Lynx 400 Wet Heat Bain Marie which comes with 2 x 4.5 litre round container and lids.

- ✔ Wet heat bain marie
- ✔ 2 x 4.5ltr round container with lids are included
- ✔ Ideal for holding foods for longer periods of time
- ✔ Plug and play for an easy installation

### Specifications

#### Summary Power and Performance

<p><b>Brand</b> Lincat</p> <p><b>Range</b> Lynx 400</p> <p><b>Power Type</b> Electric</p> <p><b>Unit Type</b> Counter-top</p> <p><b>Available in UK Only</b> No</p> <p><b>UK Warranty</b> 2 Years Parts and Labour Warranty</p> <p><b>Export Warranty</b> Contact your local dealer</p> <p><b>GTIN</b> 5056105101352</p>	<p><b>Total Power kW</b> 0.50</p> <p><b>IP Rating</b> IP23</p> <p><b>Temperature Control</b> Mechanical</p>
--	---

#### Key Specifications Capacity

<p><b>Pot Type</b> Round pot</p> <p><b>Type of Heat</b> Wet/Dry</p>	<p><b>Capacity Litres</b> 2 x 4.5</p>
---	---------------------------------------

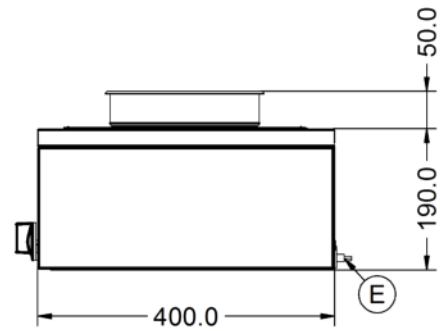
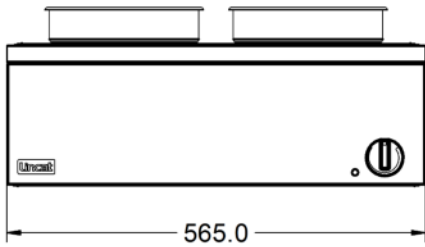
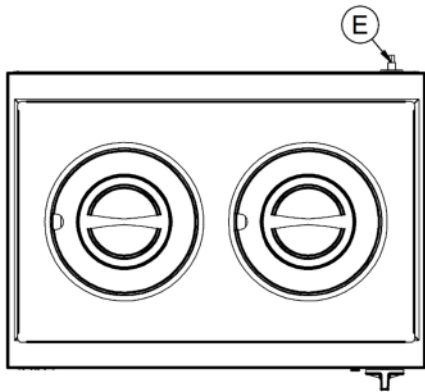
#### Weights and Dimensions Supply Connections

<p><b>Unit Height (External) mm</b> 240</p> <p><b>Unit Width (External) mm</b> 565</p> <p><b>Unit Depth (External) mm</b> 400</p> <p><b>Net Weight Kg</b> 13</p>	<p><b>Requires Installation</b> No</p> <p><b>Requires Electrical Supply</b> Yes</p> <p><b>UK 3 Pin Plug</b> Yes</p> <p><b>Requires Hardwiring</b> No</p> <p><b>Electrical Supply Rating Watts</b> 500</p> <p><b>Single Phase Amps</b> 2.2</p> <p><b>Single Phase Voltage</b> 230</p>
--	--

#### Shipping

<p><b>Packed Weight Kg</b> 14.3</p> <p><b>Packed Height cm</b> 49.5</p> <p><b>Packed Width cm</b> 70</p> <p><b>Packed Depth cm</b> 55</p>	
---	--

### Technical Picture



**Lincat Limited**

Whisby Road,  
Lincoln, LN6 3QZ,  
United Kingdom

**Company No:** 2175448

A member company of



**Customer Care**

**Tel:** +44 1522 875500  
**Email:** care@lincat.co.uk

**Export Customers**

**Tel:** +44 1522 875536  
**Email:** export@lincat.co.uk

**Opening Hours**

**Monday – Friday:**  
8.30am – 5pm