



## F63/500 - IMC Mobile Hand Wash Station - W 450mm - 3.0kW

With enough for 85 hand washes per fill, the sturdy Mobile Hand Wash Station is perfect for increasing hygiene standards where there is no access to mains water, and can be used wherever it's required.

- ✔ Provides hand washing facility in locations where mains water isn't available.
- ✔ Ideal for increasing hygienic hand washing facilities wherever required - just fill, plug in and go.
- ✔ Provides 85 hand washes - 10 litres per fill.
- ✔ Internal waste collection - no need for drainage.
- ✔ Water temperature limited to 42°C for user safety.
- ✔ Foot-activated, infrared-operated tap make unit hygienic, with no need for hand contact.
- ✔ Large wheels make hand wash station quick and easy to move.
- ✔ Constructed from sturdy and hygienic stainless steel, making it easy to wipe clean

### Specifications

#### Summary

<b>Brand</b>	IMC
<b>Range</b>	IMClean
<b>Series</b>	Mobile Hand Wash
<b>Power Type</b>	Electric
<b>Available in UK Only</b>	No
<b>UK Warranty</b>	1 Year Parts and Labour Warranty
<b>Export Warranty</b>	Contact your local dealer
<b>GTIN</b>	5056105198017

#### Power and Performance

<b>Total Power kW</b>	3
<b>Water Temperature °C</b>	42 constant
<b>IP Rating</b>	IPX4
<b>Temperature Control</b>	Set at factory
<b>Drain Method</b>	Flexible pipe to removable waste container

#### Key Specifications

<b>Waste Collection</b>	Internal removable container [supplied]
<b>Drain Location</b>	Bottom of water tank
<b>Outlet</b>	Foot-activated infrared-operated tap
<b>Number of Sinks</b>	1

#### Capacity

<b>Capacity Litres</b>	10
------------------------	----

#### Weights and Dimensions

<b>Unit Height (External) mm</b>	1136
<b>Unit Width (External) mm</b>	450
<b>Unit Depth (External) mm</b>	543
<b>Height to Sink mm</b>	950
<b>Net Weight Kg</b>	29

#### Supply Connections

<b>Requires Installation</b>	No
<b>Requires Electrical Supply</b>	Yes
<b>UK 3 Pin Plug</b>	Yes
<b>Requires Hardwiring</b>	No
<b>Electrical Supply Rating Watts</b>	3000
<b>Single Phase Amps</b>	12
<b>Single Phase Voltage</b>	230

#### Shipping

<b>Packed Weight Kg</b>	31.9
<b>Packed Height cm</b>	125
<b>Packed Width cm</b>	68
<b>Packed Depth cm</b>	57

### Available Accessories

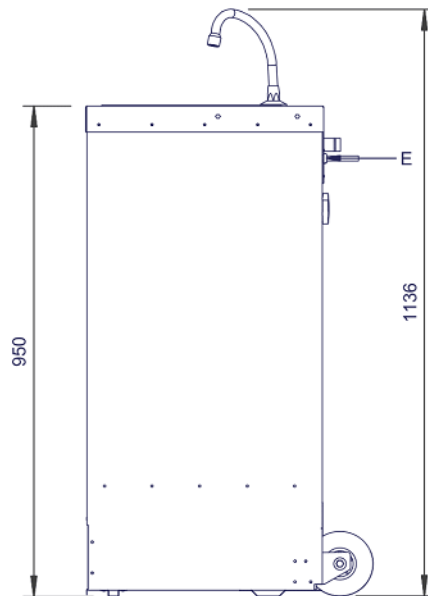
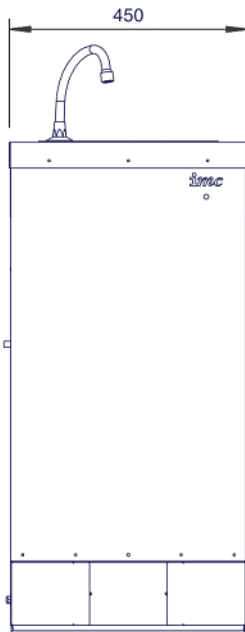
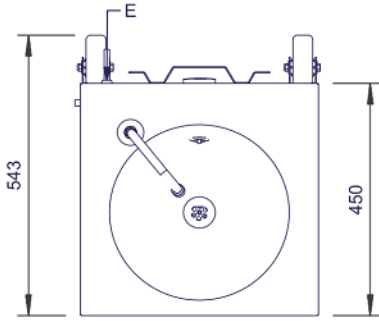
**S63/123**

Splashback, Soap and Paper Towel Holder for Mobile Handwash Station

**Available Accessories**

- S63/222** Bin Bag Holder for Mobile Hand Wash Station [inc. 20 x Bin Bags]
- S63/223** Bin Bags for Mobile Hand Wash Station [Pk 20][fits S63/222 Holder]

**Technical Picture**





**Lincat Limited**

Whisby Road,  
Lincoln, LN6 3QZ,  
United Kingdom

**Company No:** 2175448

A member company of



**Customer Care**

**Tel:** +44 1522 875500  
**Email:** care@lincat.co.uk

**Export Customers**

**Tel:** +44 1522 875536  
**Email:** export@lincat.co.uk

**Opening Hours**

**Monday – Friday:**  
8.30am – 5pm