



F61/220 - IMC IMChip PC2 Counter-top Potato Chipper - W 370 mm - 0.18 kW [knife block size to be specified]

An ultra-fast IMC Potato Chipper, which can produce 25kg of chips per minute with minimal waste.

- ✓ Able to produce 25kg of chips per minute
- ✓ Compact design, with flexible mounting options, to suit kitchens of any size
- ✓ Large-capacity 12kg hopper allows quick and easy loading
- ✓ One-piece knife block design for quick and safe cutting, with minimal waste
- ✓ Supplied with knife block - 12mm, 14mm, 17mm, or 21mm sizes available
- ✓ Engineered using heavy-gauge stainless steel, for longevity and easy cleaning
- ✓ UK 3 pin plug allows users to simply plug in and switch on
- ✓ Please specify a knife block at point of ordering chipper

Specifications

Summary

Brand	IMC
Range	IMChip
Series	PC Chipper
Power Type	Electric
Unit Type	Counter-top
Available in UK Only	No
UK Warranty	2 Years Parts and Labour Warranty
Export Warranty	Contact your local dealer
Mounting	Drainer; Worktop; Stand [optional]
GTIN	5056105198901

Power and Performance

Total Power kW	0.18
HP	0.24
IP Rating	IP55

Key Specifications

Operator Safety	Interlocks
------------------------	------------

Capacity

Capacity Kg per Hour	1500
Hopper Load kg	12

Weights and Dimensions

Unit Height (External) mm	550
Unit Width (External) mm	370
Unit Depth (External) mm	603
Net Weight Kg	40

Supply Connections

Requires Installation	No
Requires Electrical Supply	Yes
UK 3 Pin Plug	Yes
Requires Hardwiring	No
Single Phase Amps	2.4
Single Phase Voltage	240

Shipping

Packed Weight Kg	44
Packed Height cm	84
Packed Width cm	68
Packed Depth cm	42.5

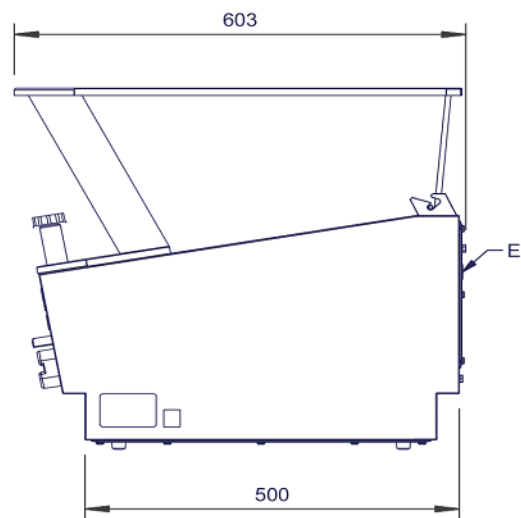
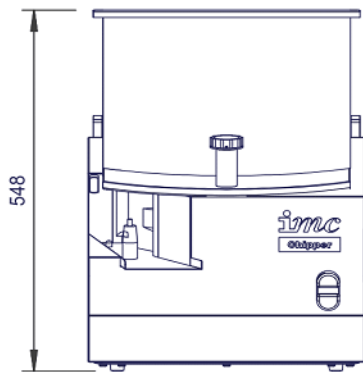
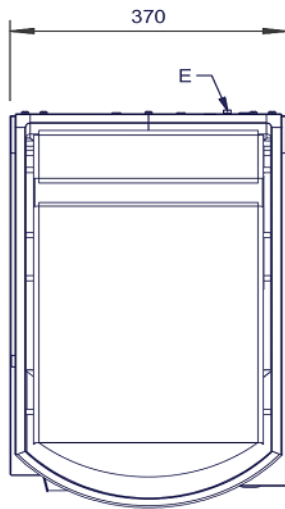
Available Accessories

S61/114	Knife Block - 14 mm x 14mm - for PC2 Chipper [includes S61/129 Blade]
S61/115	Knife Block - 17 mm x 14 mm - for PC2 Chipper [includes S61/128 Blade]

Available Accessories

S61/128	Blades for CS-C1/PC2 Chipper Knife Block - 17 mm x 14 mm [fits S61/115 & S61/144 blocks]
S61/129	Blades for CS-C1/PC2 Chipper Knife Block - 14 mm x 14 mm [fits S61/114 & S61/151 blocks]
S61/134	Blades for CS-C1/PC2 Chipper Knife Block - 12 mm x 12 mm [fits S61/135 & S61/145 blocks]
S61/135	Knife Block - 12 mm x 12 mm - for PC2 Chipper [includes S61/134 Blade]
S61/140	Stand for CS-C1/PC2 Chipper
S61/182	Knife Block - 21mm x 17 mm - for PC2 Chipper [includes S61/183 Blade]
S61/183	Blades for CS-C1/PC2 Chipper Knife Block - 21 mm x 17 mm [fits S61/182 & S61/184 blocks]

Technical Picture





Lincat Limited

Whisby Road,
Lincoln, LN6 3QZ,
United Kingdom

Company No: 2175448

A member company of



Customer Care

Tel: +44 1522 875500
Email: care@lincat.co.uk

Export Customers

Tel: +44 1522 875536
Email: export@lincat.co.uk

Opening Hours

Monday – Friday:
8.30am – 5pm