



BS4 - Lincat Silverlink 600 Electric Counter-top Bain Marie - Dry Heat - Round Pots - Base + 4 Pots - W 450 mm - 0.75 kW

The Silverlink 600 Electric Dry Heat Bain Marie safely holds sauces, soups, gravy and precooked foods for up to two hours at the ideal serving temperature

- ✓ Dry heat bain marie
- ✓ Plug and play for an easy installation
- ✓ Ideal for holding foods for up to 2 hours at serving temperature
- ✓ Perfect for safely holding sauces, gravy & pre-cooked foods
- ✓ 4 x 8pt / 4.5Lt round stainless steel pots included
- ✓ Adjustable temperature control

Specifications

Summary

| | |
|-----------------------------|-----------------------------------|
| Brand | Lincat |
| Range | Silverlink 600 |
| Power Type | Electric |
| Unit Type | Counter-top |
| Available in UK Only | No |
| UK Warranty | 2 Years Parts and Labour Warranty |
| Export Warranty | Contact your local dealer |
| GTIN | 5056105100300 |

Power and Performance

| | |
|----------------------------|------------|
| Total Power kW | 0.75 |
| IP Rating | IP33 |
| Temperature Control | Mechanical |

Key Specifications

| | |
|---------------------|-----------|
| Pot Type | Round pot |
| Type of Heat | Dry |

Weights and Dimensions

| | |
|----------------------------------|------|
| Unit Height (External) mm | 325 |
| Unit Width (External) mm | 450 |
| Unit Depth (External) mm | 600 |
| Net Weight Kg | 14.8 |

Supply Connections

| | |
|---------------------------------------|-----|
| Requires Installation | No |
| Requires Electrical Supply | Yes |
| UK 3 Pin Plug | Yes |
| Requires Hardwiring | No |
| Electrical Supply Rating Watts | 750 |
| Single Phase Amps | 3.3 |
| Single Phase Voltage | 230 |

Shipping

| | |
|-------------------------|-------|
| Packed Weight Kg | 16.28 |
| Packed Height cm | 49.5 |
| Packed Width cm | 70 |
| Packed Depth cm | 55 |

Available Accessories

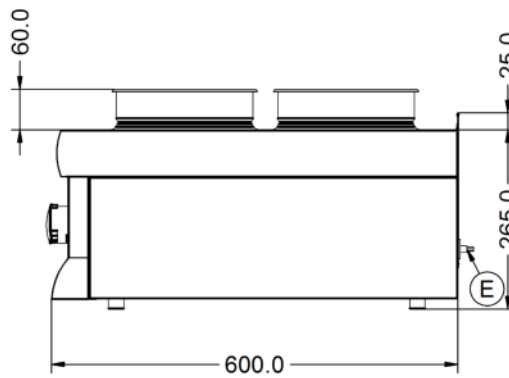
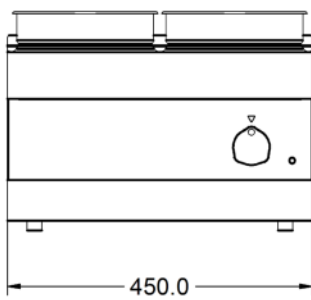
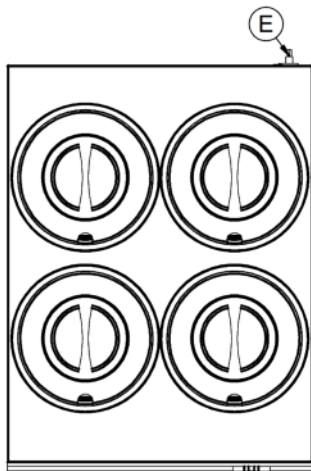
| | |
|-------------|---|
| CC4 | Lincat Silverlink 600 Free-standing Ambient Open-Top Pedestal with Doors - W 450 mm |
| CN4 | Lincat Silverlink 600 Free-standing Ambient Open-Top Pedestal without Doors - W 450 mm |
| HC4 | Lincat Silverlink 600 Free-standing Heated Open-Top Pedestal with Doors - W 450 mm - 0.5 kW |
| HCL4 | Lincat Silverlink 600 Free-standing Heated Pedestal with Legs and Doors - W 450 mm - 0.5 kW |

Available Accessories

SLS4

Lincat Silverlink 600 Free-standing Floor Stand - for units W 450 mm

Technical Picture





Lincat Limited

Whisby Road,
Lincoln, LN6 3QZ,
United Kingdom

Company No: 2175448

A member company of



Customer Care

Tel: +44 1522 875500
Email: care@lincat.co.uk

Export Customers

Tel: +44 1522 875536
Email: export@lincat.co.uk

Opening Hours

Monday – Friday:
8.30am – 5pm