

## C9C-B

### 900mm Four Burner/Griddle Gas Cooktop Bench Model



C9C-B

- Countertop Bench Model
- 900mm wide
- 4 open burners
- 300mm griddle plate
- 5kW open burner rating
- Flame failure standard on open burners
- Cast iron burners and vitreous enamel potstands
- 1 griddle burner with pilot, flame failure and piezo ignition
- Griddle plate machine finished 12mm thickness
- Adjustable bench feet
- Stainless steel finish

#### Also Available



C9A-B



C9B-B



C9D-B

#### OVERALL CONSTRUCTION

- Cast iron open burner heads with vitreous enamelled cast iron caps
- Vitreous enamelled potstands
- Vitreous enamelled control panel
- 12mm machined surface mild steel griddle plates
- Stainless steel front, sides and splashback
- Stainless steel spill tray
- Griddle section are standard on RH side only
- 63mm dia. stainless steel adjustable bench feet

#### CONTROLS

- Large easy use control knobs
- Variable high to low controls to open and griddle burners
- Flame failure standard on open burners
- Griddles standard with pilot, flame failure and piezo ignition

#### CLEANING AND SERVICING

- Easy clean stainless steel exterior
- Vitreous enamelled potstands and burner caps
- Lift off open burner caps and removable burners
- Removable spill trays
- Stainless steel grease trays on griddle

#### Matching Products



CR9D



CR6C



CF2



C9C



C6D



C450



CP4



CS9 / C900-S



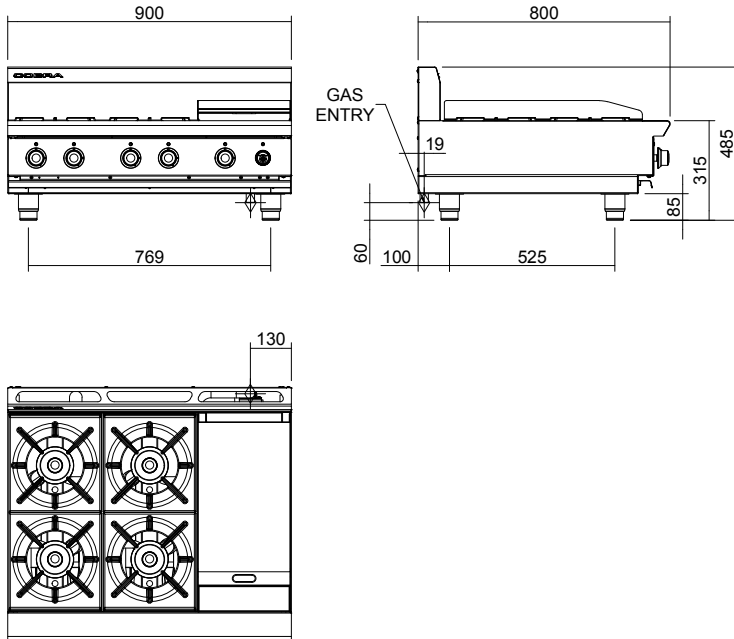
CT6



C300

## C9C-B

### 900mm Four Burner/Griddle Gas Cooktop Bench Model



C9C-B

#### SPECIFICATIONS

**Burners**  
Open Burners;  
Natural Gas  
5.0kW each  
Propane gas  
4.6kW each  
Griddle Burners;  
5.0kW per 300mm section

**Gas power**  
Natural gas  
25.0kW (nett), 94,730 Btu/hr (gross)  
Propane gas  
23.4kW (nett), 86,785 Btu/hr (gross)

**Gas flow rate**  
Natural gas 2.65m<sup>3</sup>/hr  
Propane gas 1.83kg/hr

**Gas connection**  
R 3/4 (BSP) male  
130mm from RH side, 20mm from rear, and 60mm from bench

**Dimensions**  
Width 900mm  
Depth 800mm  
Height 315mm  
Incl. splashback 485mm

**Nett weight**  
67.5kg

**Packing data**  
0.72m<sup>3</sup>, 104kg  
Width 1010mm  
Depth 955mm  
Height 750mm

**Gas types**  
Available in Natural gas and Propane gas,  
please specify when ordering  
Other gas types on request

[blue-seal.co.uk](http://blue-seal.co.uk)

United Kingdom  
[blue-seal.co.uk](http://blue-seal.co.uk)

Blue Seal Limited  
Unit 67  
Gravelly Business Park  
Gravelly  
Birmingham B24 8TQ  
England  
Telephone 0121-327 5575  
Facsimile 0121-327 9711  
[sales@blue-seal.co.uk](mailto:sales@blue-seal.co.uk)

Australia  
[moffat.com.au](http://moffat.com.au)

Moffat Pty Limited  
740 Springvale Road  
Mulgrave, Victoria 3170  
Australia  
Telephone +613-9518 3888  
Facsimile +613-9518 3833  
[vsales@moffat.com.au](mailto:vsales@moffat.com.au)

New Zealand  
[moffat.co.nz](http://moffat.co.nz)

Moffat Limited  
Rolleston  
45 Illinois Drive  
Izone Business Hub  
Rolleston 7675  
Telephone +64 3-983 6600  
Facsimile +64 3-983 6660  
[sales@moffat.co.nz](mailto:sales@moffat.co.nz)



ISO9001  
Quality  
Management  
Standard

Designed and manufactured by



ISO9001

All Cobra products are designed and manufactured by Moffat using the internationally recognised ISO9001 quality management system, covering design, manufacture and final inspection, ensuring consistent high quality at all times.

In line with policy to continually develop and improve its products, Moffat Limited reserves the right to change specifications and design without notice.



© Copyright Moffat Ltd  
UK.C.01.19 / 1622

an Ali Group Company



The Spirit of Excellence